

CANON REPAIR MANUAL

CANON DEMI EE 28

(REF. NO. 1-45601)

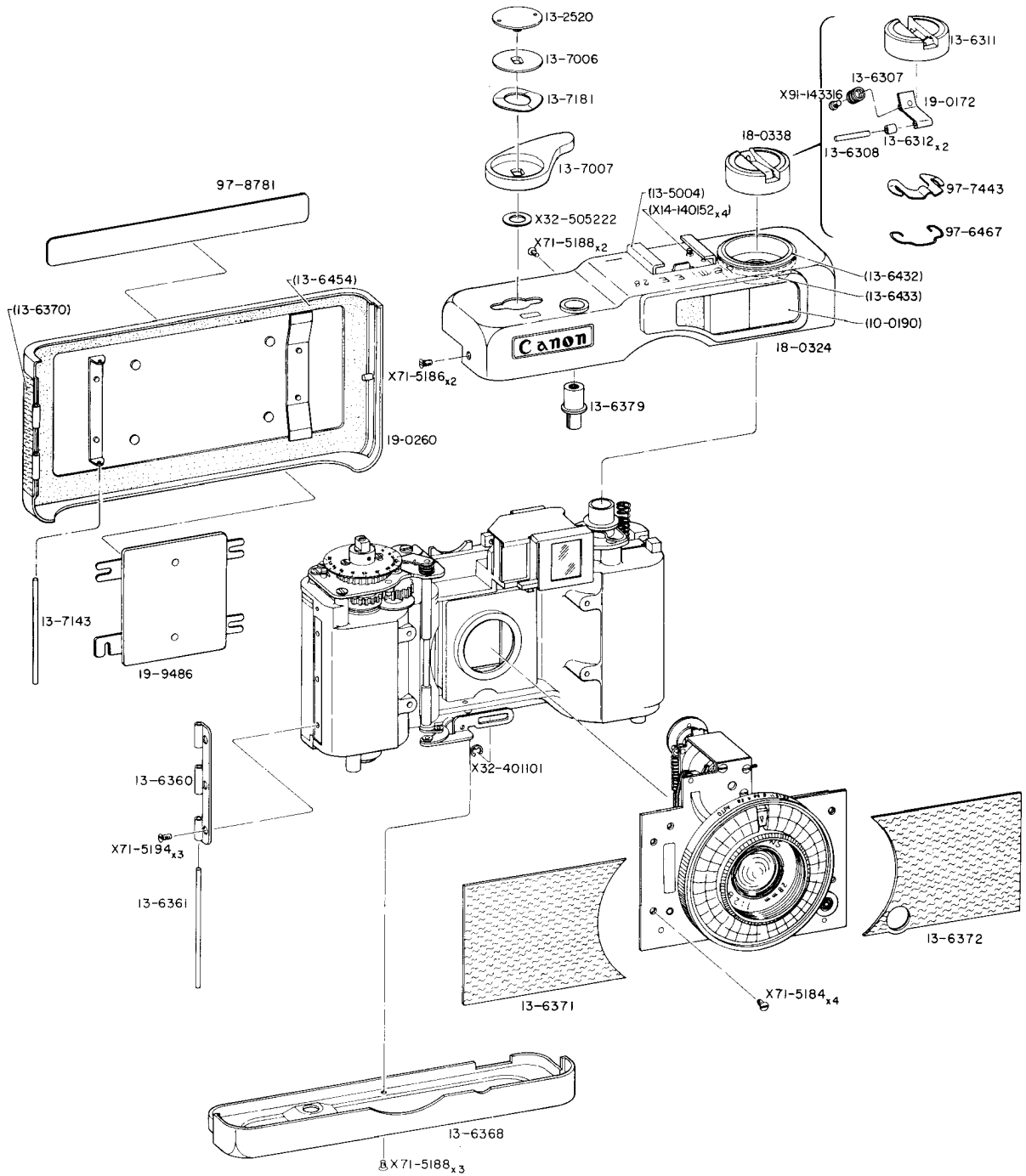
CANON CAMERA CO., INC.

TOKYO, JAPAN

C O N T E N T S

WINDING LEVER	1
REWIND CRANK	1
TOP COVER	1
BACK COVER	1
FRONT PANEL	1
BASE COVER	1
LENS	2
SHUTTER	2
E E MECHANISM UNIT	2
WINDING DEVICE	3
BODY	3
SPROCKET	3
CHARGE BASE PLATE	3
INDEX OF PARTS NUMBER	

EXPLODED VIEW
of
CANON DEMI EE 28



PARTS LIST**WINDING LEVER**

13-2520 Pin Face Screw
 13-7006 Spacer
 13-7007 Winding Lever
 13-7181 Friction Spring
 X32-505222 Washer

FRONT PANEL (cf. p. 2)

13-6371 Leather
 13-6372 Leather
 X32-401101 Retaining Washer
 X71-5184 Screw x 4

REWIND CRANK

18-0338 Rewind Crank (Unit)
 13-6307 Rewind Head
 13-6308 Crank Shaft
 13-6311 Rewind Knob
 13-6312 Crank Collar x 2
 19-0172 Rewind Crank Lever(B.P.)
 97-6467 Spring
 97-7443 Spring
 X91-143316 Screw

BASE COVER

13-6368 Base Plate
 X71-5188 Screw x 3

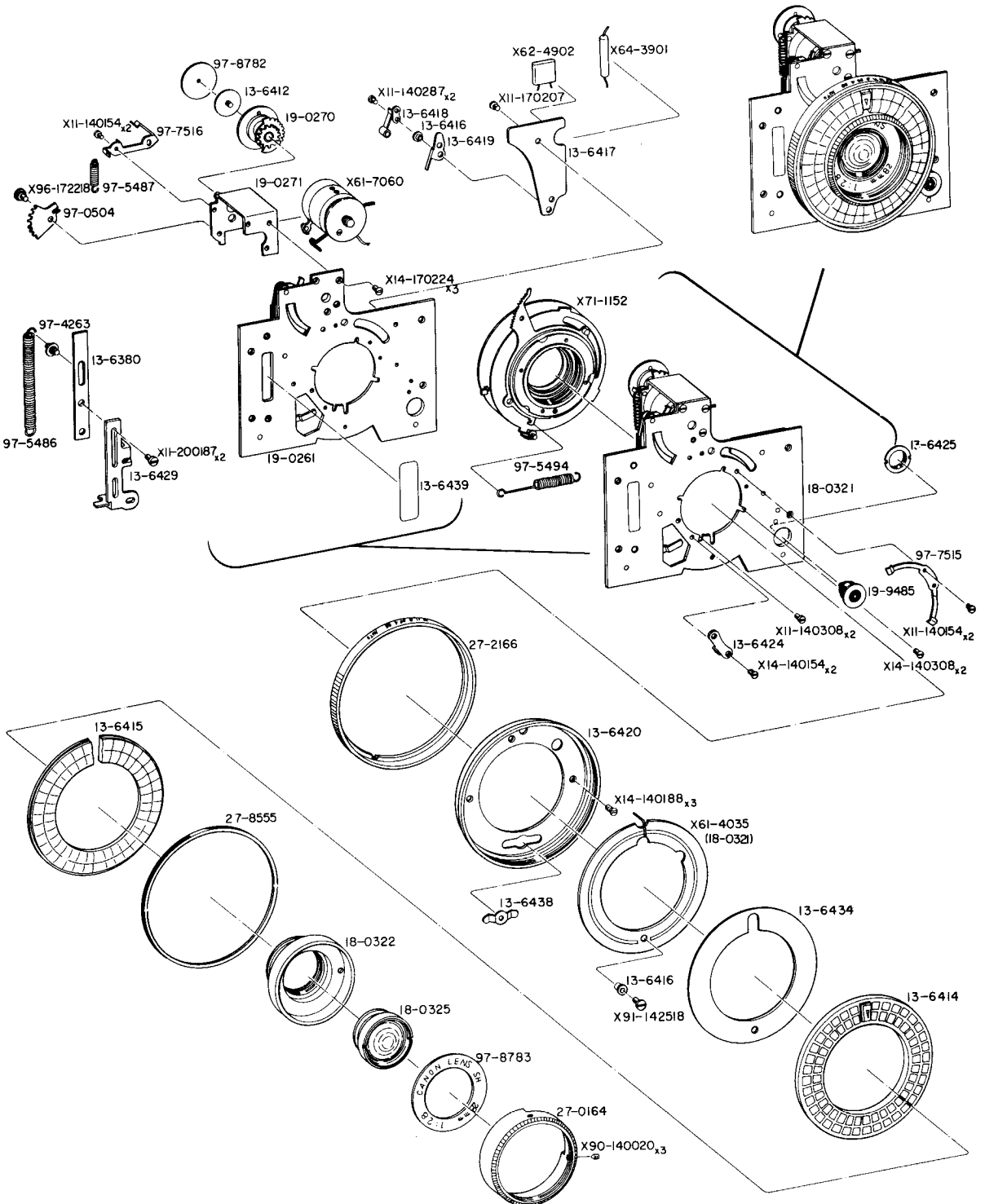
TOP COVER

13-6379 Shutter Release Button
 18-0324 Top Cover (Unit)
 10-0190 Front Glass
 13-5004 Accessory Shoe
 13-6432 Rewind Crank Rest
 13-6433 Assemble Collar
 X14-140152 Screw x 4
 X71-5186 Screw x 2
 X71-5188 Screw x 2

BACK COVER

13-6360 Hinge
 13-6361 Shaft of Hinge
 13-7143 Rollar
 19-0260 Back Cover (B. P.)
 13-6370 Leather
 13-6454 Light Shield
 19-9486 Pressure Plate (B. P.)
 97-8781 Zone Mark Plate
 X71-5194 Screw x 3

EXPLODED VIEW
of
CANON DEMI EE 28



PARTS LIST

WINDING LEVER

13-2520	Pin Face Screw
13-7006	Spacer
13-7007	Winding Lever
13-7181	Friction Spring
X32-505222	Washer

FRONT PANEL (cf. p. 2)

13-6371	Leather
13-6372	Leather
X32-401101	Retaining Washer
X71-5184	Screw x 4

REWIND CRANK

18-0338	Rewind Crank (Unit)
13-6307	Rewind Head
13-6308	Crank Shaft
13-6311	Rewind Knob
13-6312	Crank Collar x 2
19-0172	Rewind Crank Lever(B.P.)
97-6467	Spring
97-7443	Spring
X91-143316	Screw

BASE COVER

13-6368	Base Plate
X71-5188	Screw x 3

TOP COVER

13-6379	Shutter Release Button
18-0324	Top Cover (Unit)
10-0190	Front Glass
13-5004	Accessory Shoe
13-6432	Rewind Crank Rest
13-6433	Assemble Collar
X14-140152	Screw x 4
X71-5186	Screw x 2
X71-5188	Screw x 2

BACK COVER

13-6360	Hinge
13-6361	Shaft of Hinge
13-7143	Rollar
19-0260	Back Cover (B.P.)
13-6370	Leather
13-6454	Light Shield
19-9486	Pressure Plate (B.P.)
97-8781	Zone Mark Plate
X71-5194	Screw x 3

PARTS LIST

LENS

		X11-140154	Screw x 2
		X11-140287	Screw x 2
13-6414	Lattice Window Frame	X11-170207	Screw
13-6415	Window	X11-200187	Screw x 2
13-6416	Collar	X14-170224	Screw x 3
13-6420	Selen Holder	X61-7060	Meter
13-6434	Filter	X62-4902	Variable Resistor
13-6438	Spring	X64-3901	Resistor
18-0322	Helicoid (Unit)	X96-172218	Screw
18-0325	Lens (Unit)		
27-0164	Focusing Ring		
27-2166	Aperture Scale Ring		
27-8555	Assemble Collar		
97-8783	Name Ring		
X14-140188	Screw x 3		
X61-4035	Selen(included by 18-0321)		
X90-140020	Screw x 3		
X91-142518	Screw		

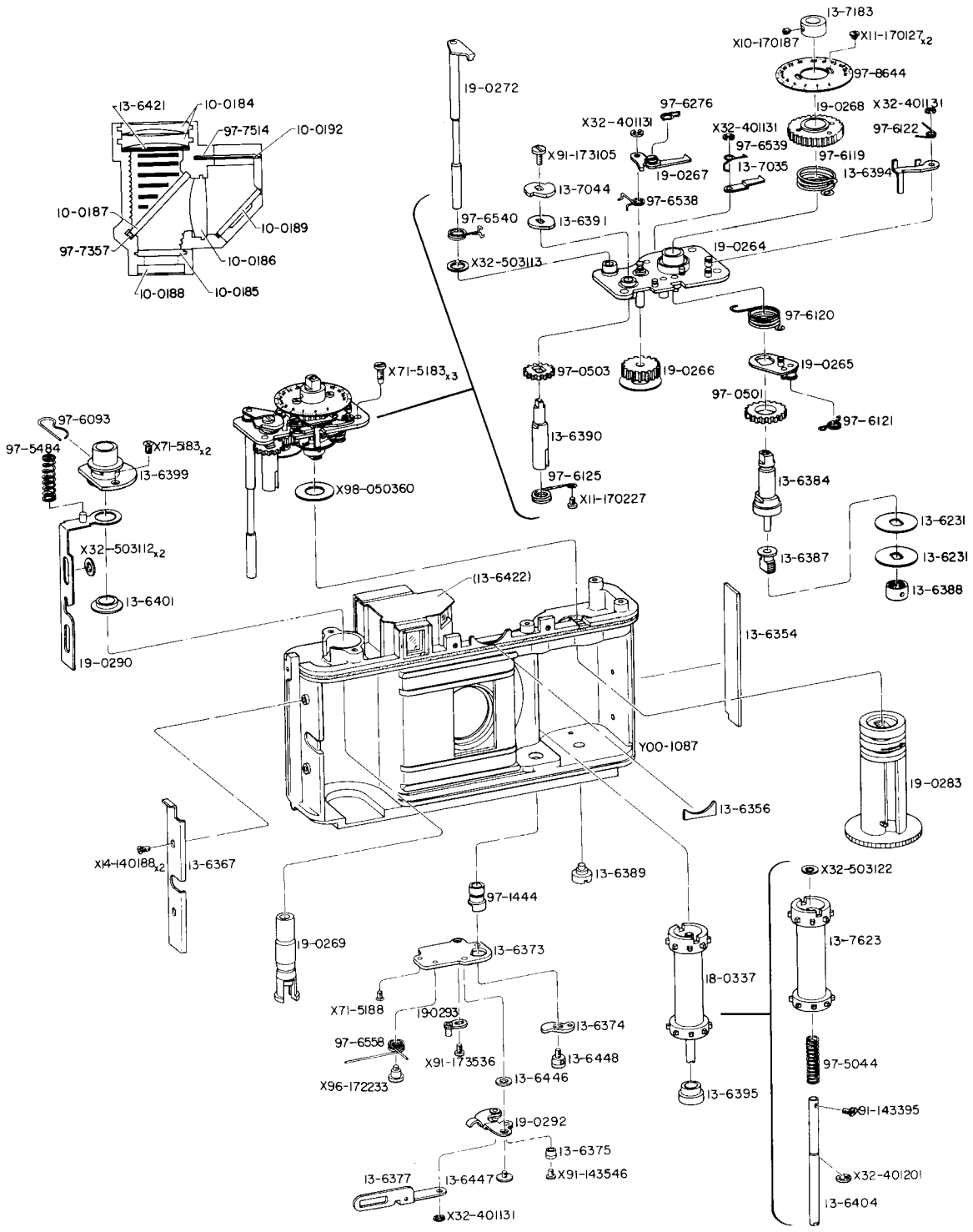
SHUTTER

13-6424	Focusing Stopper
13-6425	Nut
19-9485	Flash Terminal (B.P.)
97-5495	Coil Spring
97-7515	Click Spring
X11-140308	Screw x 2
X14-140154	Screw x 4
X14-140308	Screw x 2
X71-1152	Shutter

E E MECHANISM UNIT

18-0321	E E Mechanism (Unit)
13-6380	Shutter Release Shaft
13-6412	Screw
13-6416	Collar
13-6417	Print Plate
13-6418	Contact
13-6419	Contact
13-6429	Shutter Release Lever
13-6439	Cap
19-0261	Front Plate (B.P.)
19-0270	ASA Change Ring (B.P.)
19-0271	ASA Change Base (B.P.)
97-0504	Gear
97-4263	Screw
97-5486	Coil Spring
97-5487	Coil Spring
97-7516	Click Spring
97-8782	ASA Plate

EXPLODED VIEW of CANON DEMI EE 28



PARTS LIST

WINDING DEVICE

13-6231	Friction Disk x 2
13-6384	Winding Shaft
13-6387	Shaft of Disk
13-6388	Nut
13-6390	Sprocket Crutch
13-6391	Counter Cam
13-6394	Reseting Lever
13-7035	Stopper
13-7044	Winding Stopper Cam
13-7183	Assemble Collar
19-0264	Winding Device Base(B.P.)
19-0265	Rattchet Claw (B.P.)
19-0266	Gear (B.P.)
19-0267	Feeding Claw (B.P.)
19-0268	Counter Gear (B.P.)
19-0272	Winding Stopper (B.P.)
97-0501	Winding Gear
97-0503	Sprocket Gear
97-6119	Spring
97-6120	Spring
97-6121	Spring
97-6122	Spring
97-6125	Spring
97-6276	Spring
97-6538	Spring
97-6539	Spring
97-6540	Spring
97-8644	Film Counter
X10-170187	Screw
X11-170127	Screw x 2
X11-170227	Screw
X32-401131	Retaining Washer x 3
X32-503112	
X32-503113	Washer
X32-503114	
X71-5183	Screw x 3
X91-173105	Screw
X98-050360	Washer

BODY

Y00-1087	Body (Unit)
10-0184	Lens
10-0185	Lens
10-0186	Lens
10-0187	Half Mirror
10-0188	Lens
10-0189	Mirror
10-0192	Finder Mask
13-6422	Finder Cover

97-7357	Mirror Holder
97-7514	Frame Holder
13-6354	Light Shield
13-6356	Accessory Plate
13-6367	Hook Cover
13-6389	Spool Screw
13-6399	Bearing
13-6401	Inner Ring
13-6421	Finder Frame
19-0269	Rewind Fork (B.P.)
19-0283	Spool (B.P.)
19-0290	Hook (B.P.)
97-5484	Coil Spring
97-6093	Spring
X14-140188	Screw x 2
X32-503112	Washer x 2
X71-5183	Screw x 2

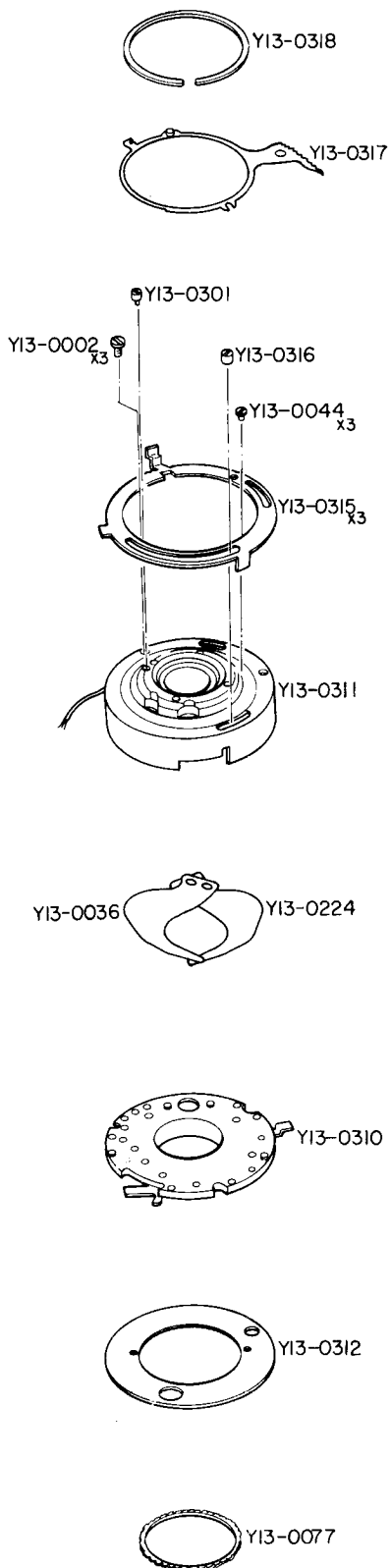
SPROCKET

13-6395	Nut
18-0337	Sprocket (Unit)
13-6404	Sprocket Shaft
13-7623	Sprocket
97-5044	Coil Spring
X32-401201	Retaining Washer
X32-503122	Washer
X91-143395	Screw

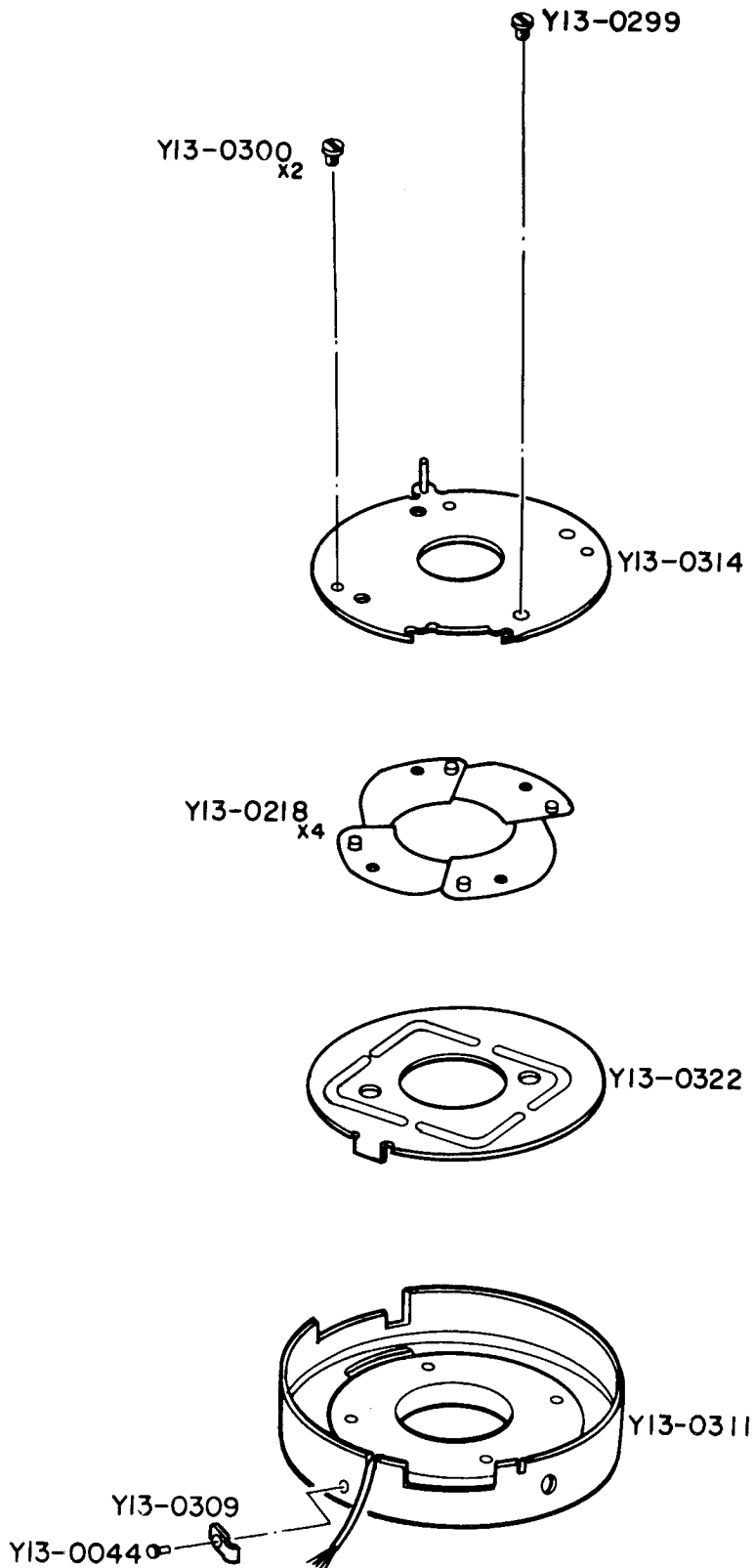
CHARGE BASE PLATE

13-6373	Charge Base Plate
13-6374	Charge Cam
13-6375	Rollar
13-6377	Charge Lever
13-6446	Washer
13-6447	Screw
13-6448	Rewind Button
19-0292	Charge Lever (B.P.)
19-0293	Winding Stopper (B.P.)
97-1444	Connecting Collar
97-6558	Spring
X32-401131	Retaining Washer
X71-5188	Screw
X91-143546	Screw
X91-173536	Screw
X96-172233	Screw

EXPLODED VIEW
of
SHUTTER for CANON DEMI EE 28



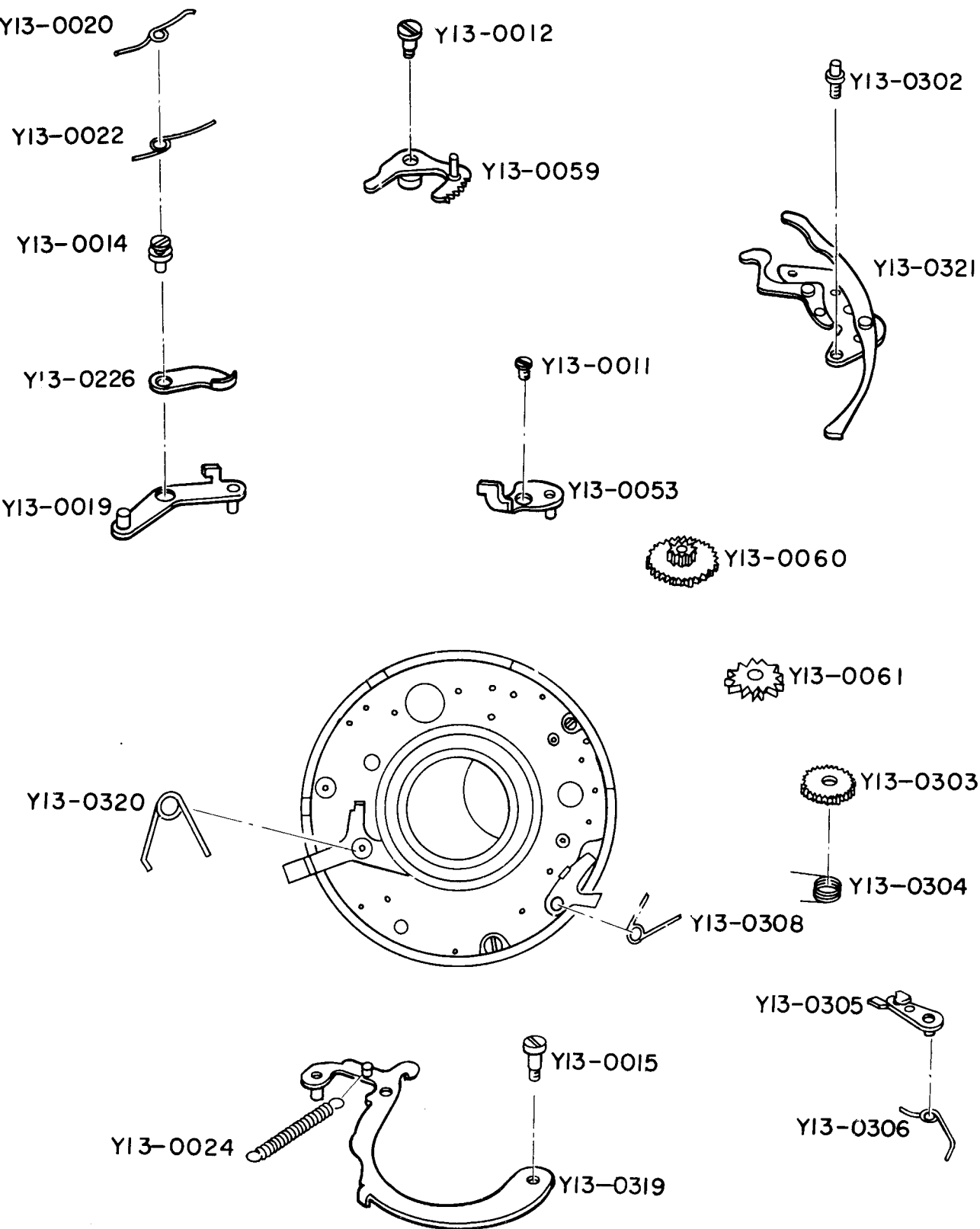
EXPLODED VIEW
of
SHUTTER for CANON DEMI EE 28



EXPLODED VIEW

of

SHUTTER for CANON DEMI EE 28



CANON SERVICE TOOLS LIST

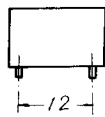
CANON DEMI EE 28
(REF. NO. 1-45601)

TESTING EQUIPMENTS

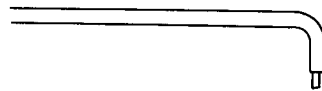
<u>Use</u>	<u>Name of Testing Equipment</u>
Focus	1 200mm T-type Collimator-1
	2 Mirror for 35mm
Field of View	1 Universal Parallax Collimator-1
	2 Square Frosted Focus Glass
Exposure Meter	1 Inspection Device for Canon Meter-1

SPECIAL SCREW DRIVER

1 T06A-C2280-2

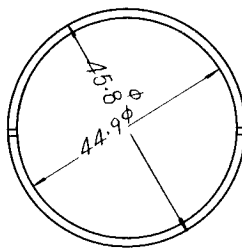


Tightning Winding Lever

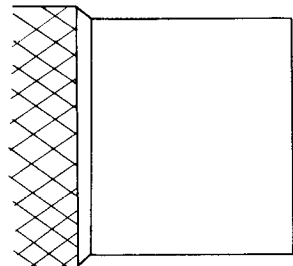


This tool is common to Canon 7, Demi, Demi S.

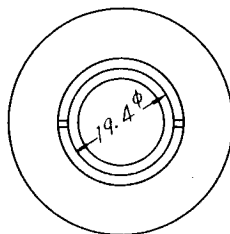
2 T0630-27-8555-1T



Tightning Assemble Collar



3 T0630-27-1284-1T



Tightning Helicoid

