

CONTENTS

HOW TO USE THIS SERVICE MANUAL

SPECIFICATIONS

Section 1 REPAIR MANUAL

Table of Contents

Exploded View and Parts List

Index of Part Numbers

Section 2 REPAIR GUIDE

Table of Contents

Disassembling Methods

Adjusting Methods

Trouble, Cause and Remedy

Inspection Standards

Section 3 SERVICE TOOL MANUAL

Section 4 SERVICE MATERIALS MANUAL

Section 5 PRICE LIST OF CANON SERVICE PARTS

Section 6 SERVICE MANUAL REPORT

REPAIR GUIDE

1. On the supposition of the most various troubles with the products that might happen, Repair Guide presents as many troubles, causes and remedies for them as possible.
But we Canon Camera Company firmly believe that none of these troubles can happen.
2. The troubles are classified according to their mechanism as they are shown in the Table of Contents.
Several causes are shown to one trouble and the remedies are arranged according to the causes.

SERVICE TOOL MANUAL

1. Service Tool Manual presents tools which are necessary for disassembling and assembling of the products and other exclusive inspection devices which are necessary to inspect and examine whether or not the products disassembled and re-assembled in the process of remedy are in the perfect original precision.
2. As for the exclusive inspection devices, each one of them is described on each one page.
3. Such tools as special screwdrivers and others that are necessary for disassembling and assembling the products are arranged in numerical order.

The number after the hyphen generally shows the part number for which the tool is to be used.

SERVICE MATERIALS MANUAL

1. Service Materials Manual presents chemicals necessary for assembling and adjusting the products and lubricating oil necessary for keeping the precision, in combination with the names of materials and members to be used for.
2. Do not use other chemicals and lubricating oil than those shown here. Please order them as well as repair parts from the Export Department in Canon Camera Company.
3. Service Materials Manual and Repair Manual have the same page number correspondingly so that you may easily identify.

PRICE LIST OF SERVICE PARTS

1. Price List of Service Parts presents the unit price of the service parts you received from us.
2. The unit price is F.O.B. Tokyo/Yokohama.
3. The page number on the Repair Manual in which each part is described is shown on the right side of each part so that you may easily identify.

SERVICE MANUAL REPORT

Service Manual Report is for the purpose of giving a prompt and exact information when some revisions are made on the products, namely, when the products are partly changed by the rationalization of production, the development of function, change of outward appearance and so on. Therefore, Service Manual Report is to be published whenever any revision is made on the products.

CANON DEMI SPECIFICATIONS


1. Type: A demi-size (24 × 18mm) precision camera using 35mm film with program shutter coupled to the built-in exposure meter.
2. Lens: CANON LENS SH 28mm 1:2.8
Compact and short lens of the improved triplet type composed of 5 elements in 3 components.
Coated with spectra coating method.
Angle of view is 55 degrees.
Zone focusing system by helicoid.
3. Shutter: SEIKOSHA-L
Program shutter of #000 size.
Behind-the-lens shutter.
Aperture-shutter combination is continuously variable between LV 8 (1 / 30 F2.8) and LV 17 (1 / 250 F22).
Provisions for B and  (flash mark), when manual aperture setting is possible.
4. Flash: Flash mark sets the shutter speed to 1 / 30 and the circuit is for X contact.
5. Exposure Meter: Built-in selenium exposure meter of match-needle system is coupled to the program shutter.
Working range is from LV 6 to LV 17 for ASA 100 film.
6. Viewfinder: Real image viewfinder of Kepler type, composed of 4 lenses and 3 prisms.
Magnification is 0.41X.
Eyesight is 1 diopter.
7. Winding: Rapid winding lever system.
Can be wound by several short strokes.
Winding angle is 145 degrees.
8. Film Counter: Counts upward from zero. Self-resetting.
9. Dimensions: 115 × 68 × 37mm
10. Weight: 380gr.

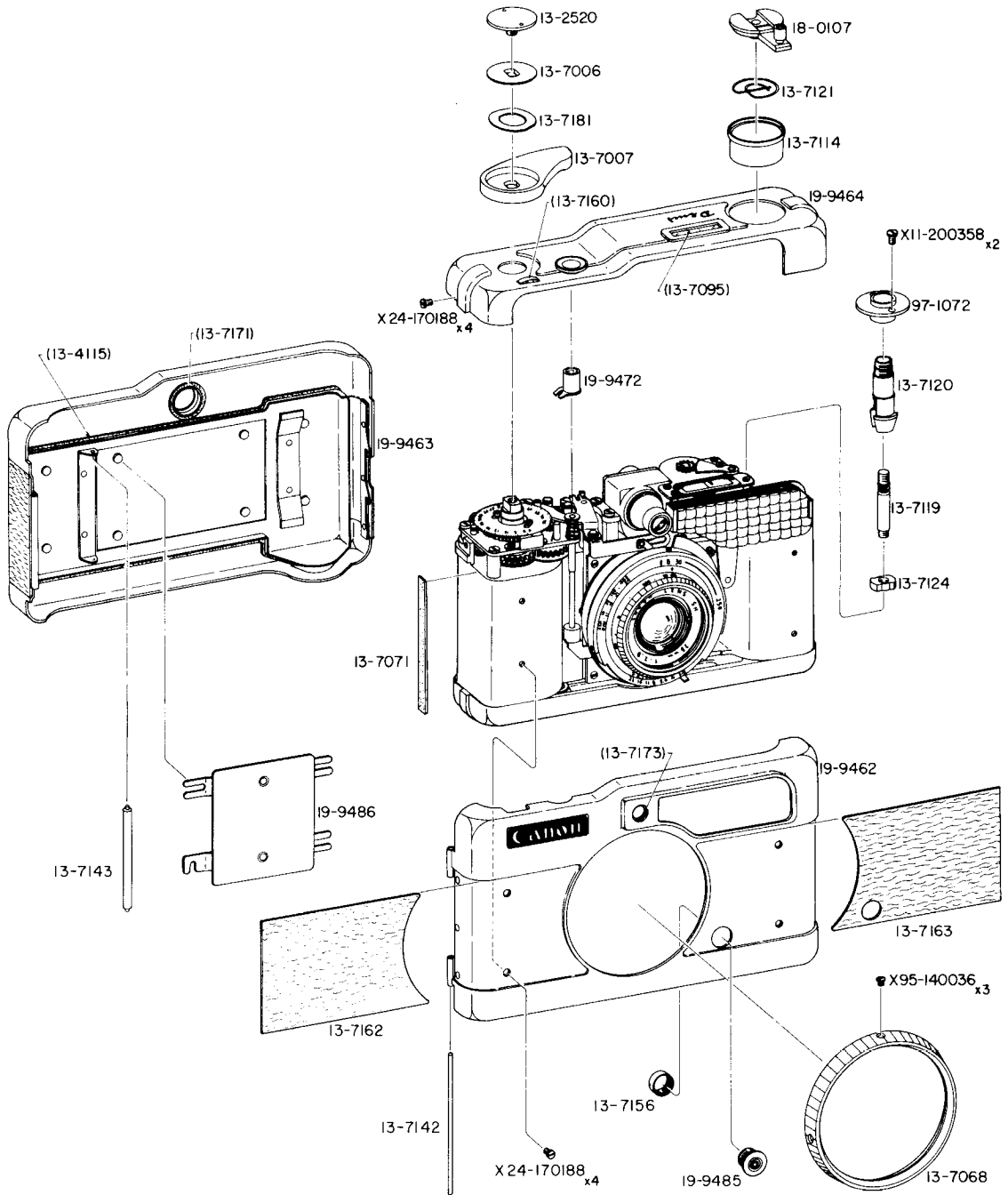
TABLE OF CONTENTS

TOP COVER	1
WINDING LEVER	1
REWIND CRANK	1
FRONT COVER	1
BACK COVER	1
SHUTTER	1,2
EXPOSURE METER	2
VIEWFINDER	2
OBJECTIVE LENS	2
WINDING DEVICE	3
FILM COUNTER	3
FRONT PANEL	3
BODY CASE	4
TAKE-UP SPOOL	4
TRIPOD SOCKET	4
SPROCKET	4
BASE PLATE	4

EXPLODED VIEW

of

CANON DEMI



PARTS LIST

TOP COVER

19-9464 Top Cover (B. P.)
 13-7095 Window
 13-7160 Window
19-9472 Shutter Button(B. P.)
X24-170188 Screw×4

WINDING LEVER

13-2520 Pin Face Screw
13-7006 Spacer
13-7007 Winding Lever
13-7181 Spring Washer

REWIND CRANK

13-7114 Rewind Crank Rest
13-7119 Rewind Shaft
13-7120 Rewind Fork
13-7121 Spring
13-7124 Nut
18-0107 Rewind Crank(Unit)
97-1072 Bearing
X11-200358 Screw×2

FRONT COVER

13-7142 Shaft of Hinge
13-7156 Assemble Collar
13-7162 Leather
13-7163 Leather
19-9462 Front Cover (B. P.)
 13-7173 Washer
19-9485 Flash Terminal (B. P.)
X24-170188 Screw×4

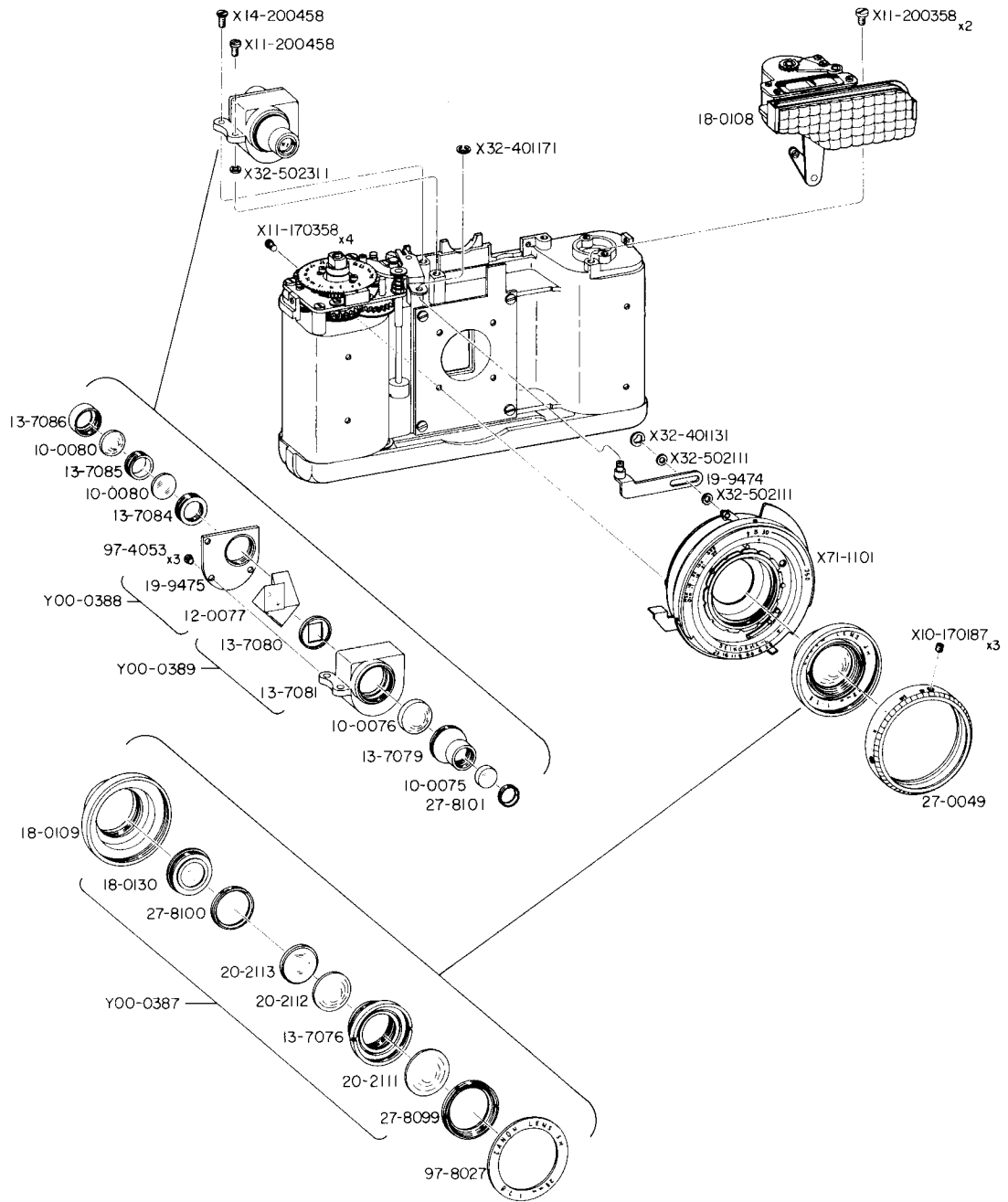
BACK COVER

13-7071 Light Shield
13-7143 Anti Curl Roller
19-9463 Back Cover (B. P.)
 13-4115 Light Shield
 13-7171 Light Shield
19-9486 Pressure Plate(B. P.)

SHUTTER (cf. p. 2)

13-7068 Shutter Ring
X95-140036 Screw×3

EXPLODED VIEW of CANON DEMI



PARTS LIST

EXPOSURE METER

18-0108 Exposure Meter (Unit)
 X11-200358 Screw × 2

SHUTTER (cf. p. 1)

19-9474 Shutter Charge Rod (B. P.)
 X11-170358 Screw × 4
 X32-401131 Retaning Washer
 X32-401171 Retaning Washer
 X32-502111 Washer × 2
 X71-1101 Shutter Unit

VIEWFINDER

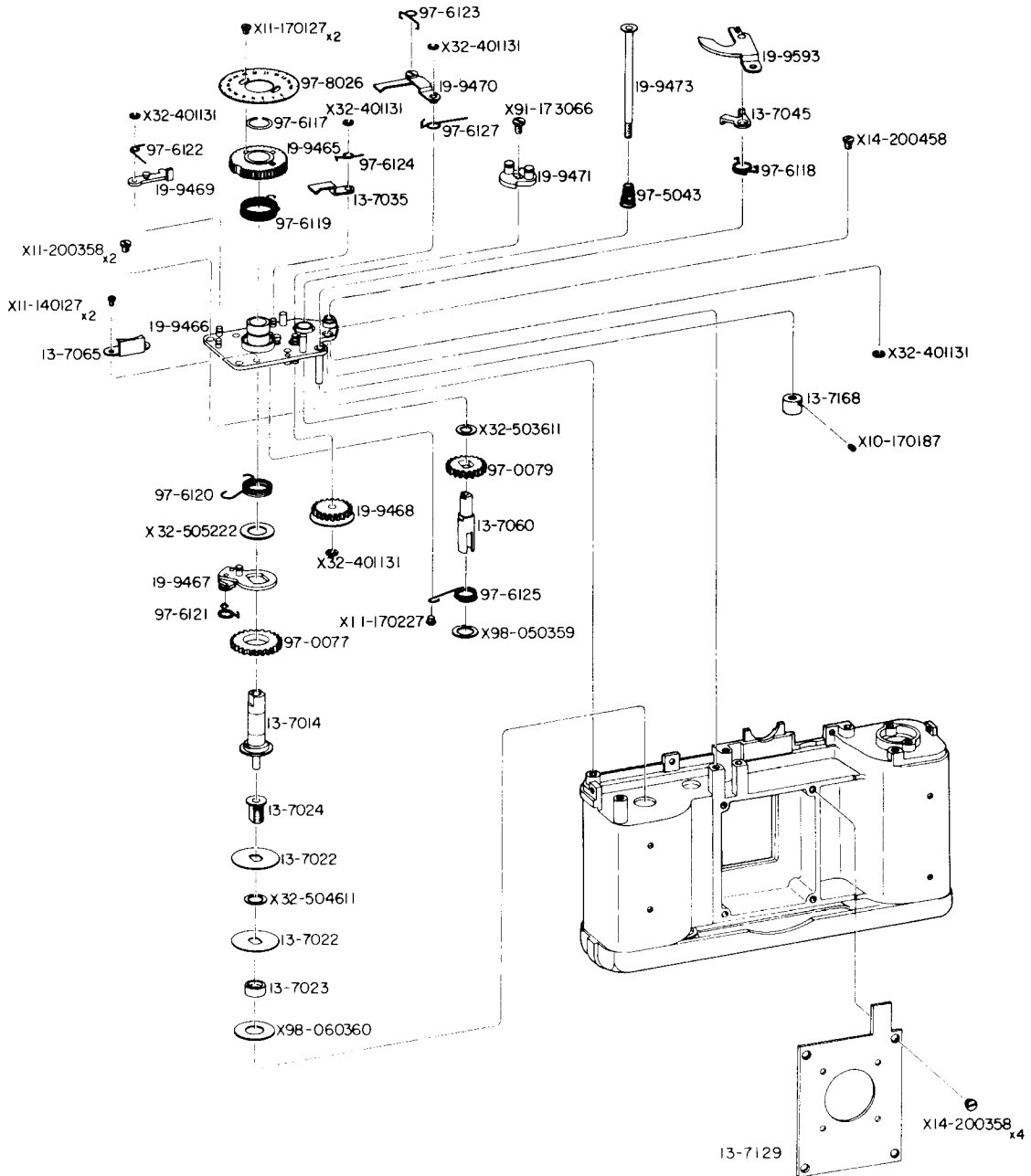
Y00-0388 Viewfinder Prism (B. P.)
 12-0077 Viewfinder Prism (B. P.)
 19-9475 Prism Base (B. P.)
 Y00-0389 Finder Prism Box (B. P.)
 13-7080 Finder Mask
 13-7081 Finder Prism Box

10-0075 Lens
 10-0076 Lens
 10-0080 Lens × 2
 13-7079 Finder Tube
 13-7084 Eyepiece Barrel
 13-7085 Assemble Collar
 13-7086 Eyepiece Ring
 27-8101 Assemble Collar
 97-4053 Screw × 3
 X11-200458 Screw
 X14-200458 Screw
 X32-502311 Washer × N
 X32-502312
 X32-502313

OBJECTIVE LENS

Y00-0387 Objective Lens (Unit)
 13-7076 Lens Barrel
 18-0130 Rear Lens (Unit)
 20-2111 Lens
 20-2112 Lens
 20-2113 Lens
 27-8099 Assemble Collar
 27-8100 Assemble Collar
 18-0109 Helicoid (Unit)
 27-0049 Focusing Ring
 97-8027 Name Plate
 X10-170187 Screw × 3

EXPLODED VIEW of CANON DEMI



PARTS LIST

WINDING DEVICE

13-7014	Winding Lever Shaft
13-7022	Friction Disk × 2
13-7023	Assemble Collar
13-7024	Spool Shaft
13-7045	Stopper Lever
13-7060	Sprocket Clutch
13-7168	Nut
19-9466	Winding Device Base (B. P.)
19-9467	Winding Pawl (B. P.)
19-9468	Idle Gear (B. P.)
19-9471	Shutter Charge Disk (B. P.)
19-9473	Shutter Shaft (B. P.)
19-9593	Shutter Charge Lever (B. P.)
97-0077	Winding Gear
97-0079	Sprocket Gear
97-5043	Coil Spring
97-6118	Spring
97-6120	Spring
97-6121	Spring
97-6125	Spring
X10-170187	Screw
X11-170227	Screw
X11-200358	Screw × 2
X14-200458	Screw
X32-401131	Retaining Washer × 2
X32-503611	Washer
X32-504611	Washer × N
X32-505222	Washer
X91-173066	Screw
X98-050359	Washer
X98-060360	Washer

FILM COUNTER

13-7035	Stopper Claw
13-7065	Counter Index
19-9465	Counter Gear (B. P.)
19-9469	Counter Resetting Lever (B. P.)
19-9470	Feeding Claw (B. P.)
97-6117	Retainer
97-6119	Spring
97-6122	Spring
97-6123	Spring
97-6124	Spring
97-6127	Spring
97-8026	Counter Dial
X11-140127	Screw × 2
X11-170127	Screw × 2
X32-401131	Retaining Washer × 3

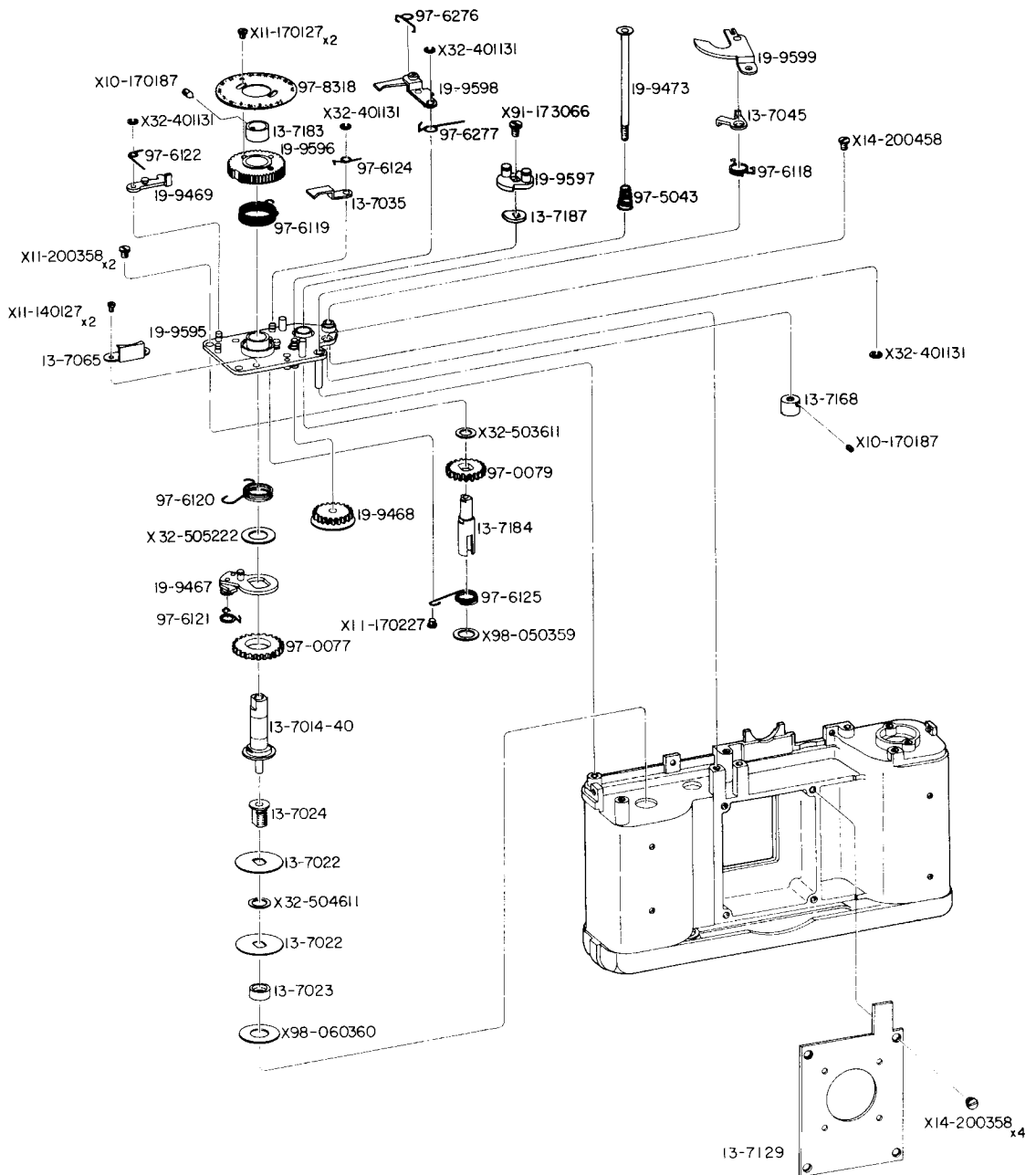
FRONT PANEL

13-7129	Front Panel
X14-200358	Screw × 4

EXPLODED VIEW

of

CANON DEMI



PARTS LIST

WINDING DEVICE

13-7014-40	Winding Lever Shaft
13-7022	Friction Disk ×2
13-7023	Assemble Collar
13-7024	Spool Shaft
13-7045	Stopper Lever
13-7168	Nut
13-7184	Sprocket Clutch
19-9467	Winding Pawl (B. P.)
19-9468	Idle Gear (B. P.)
19-9473	Shutter Shaft (B. P.)
19-9595	Winding Device Base (B. P.)
19-9597	Shutter Charge Disk (B. P.)
19-9599	Shutter Charge Lever (B. P.)
97-0077	Winding Gear
97-0079	Sprocket Gear
97-5043	Coil Spring
97-6118	Spring
97-6120	Spring
97-6121	Spring
97-6125	Spring
X10-170187	Screw
X11-170227	Screw
X11-200358	Screw ×2
X14-200458	Screw
X32-503611	Washer
X32-504611	Washer ×N
X32-505222	Washer
X91-173066	Screw
X98-050359	Washer
X98-060360	Washer

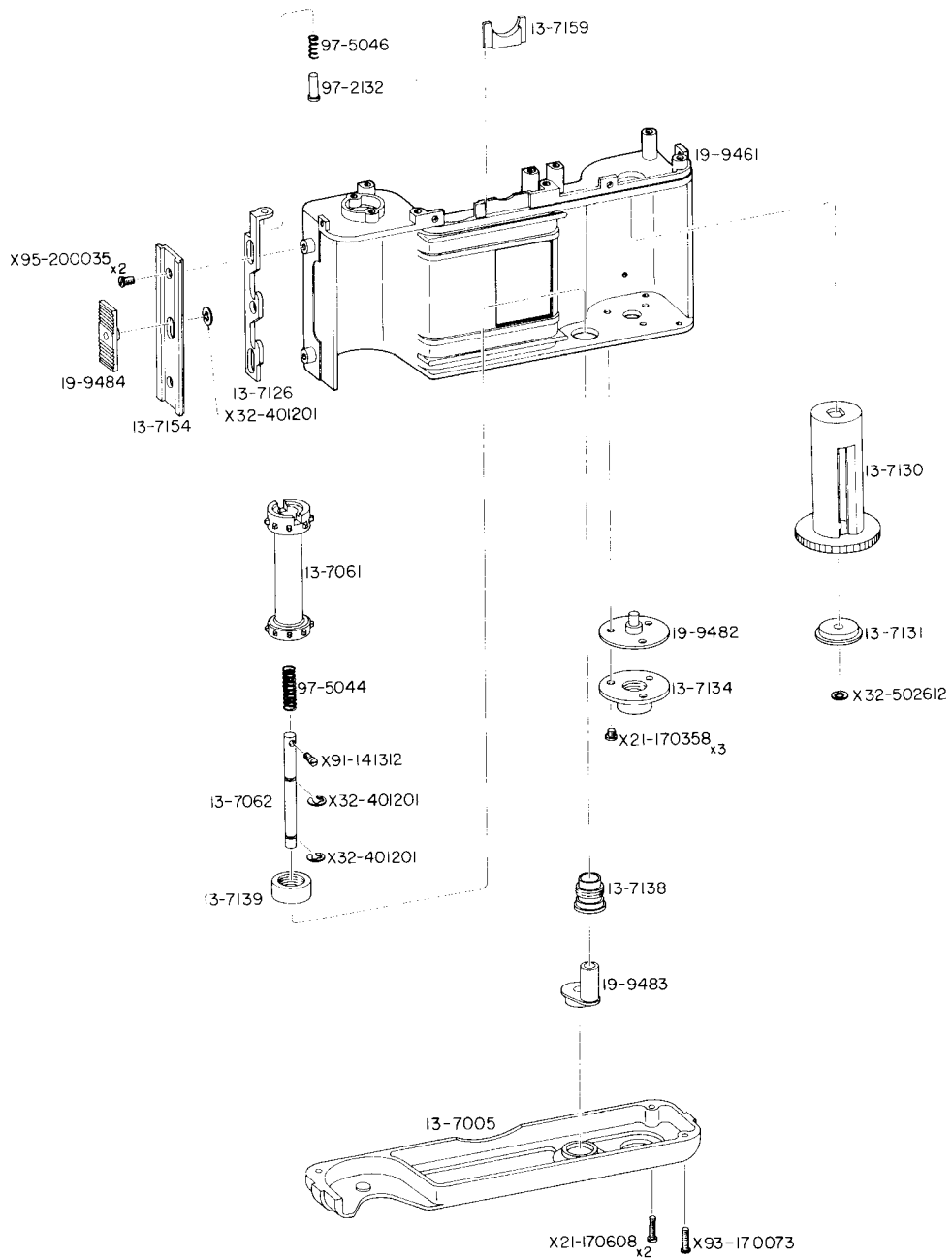
FILM COUNTER

13-7035	Stopper Claw
13-7065	Counter Index
13-7183	Assemble Collar
13-7187	Counter Cam
19-9469	Counter Resetting Lever (B. P.)
19-9596	Counter Gear (B. P.)
19-9598	Feeding Claw (B. P.)
97-6119	Spring
97-6122	Spring
97-6124	Spring
97-6276	Spring
97-6277	Spring
97-8318	Counter Dial
X10-170187	Screw
X11-140127	Screw ×2
X11-170127	Screw ×2
X32-401131	Retaining Washer ×3

FRONT PANEL

13-7129	Front Panel
X14-200358	Screw ×4

EXPLODED VIEW of CANON DEMI



PARTS LIST

BODY CASE

13-7126	Hook
13-7154	Hook Cover
13-7159	Light Shield
19-9461	Body Case (B. P.)
19-9484	Back Cover Lock Button (B. P.)
97-2132	Spring Holder
97-5046	Coil Spring
X32-401201	Retaining Washer
X95-200035	Screw × 2

TAKE-UP SPOOL

13-7130	Take-Up Spool
13-7131	Spool Holder
19-9482	Spool Shaft (B. P.)
X32-502612	Washer

TRIPOD SOCKET

13-7134	Tripod Socket
X21-170358	Screw × 3

SPROCKET

13-7061	Sprocket
13-7062	Sprocket Shaft
13-7138	Bearing
13-7139	Assemble Collar
19-9483	Rewind Button (B. P.)
97-5044	Coil Spring
X32-401201	Retaining Washer × 2
X91-141312	Screw

BASE PLATE

13-7005	Base Plate
X21-170608	Screw × 2
X93-170073	Screw

INDEX OF PART NUMBERS

PART NO.	PAGE	PART NO.	PAGE	PART NO.	PAGE	PART NO.	PAGE
10-0075	2	13-7159	4	97-0077	3		
10-0076	2	13-7160	1	97-0079	3	X71-1101	2
10-0080	2	13-7162	1	97-1072	1		
		13-7163	1	97-2132	4	X91-141312	4
12-0077	2	13-7168	3	97-4053	2	X91-173066	3
		13-7171	1	97-5043	3	X93-170073	4
		13-7173	1	97-5044	4	X95-140036	1
13-2520	1	13-7181	1	97-5046	4	X95-200035	4
13-4115	1			97-6117	3	X98-050359	3
13-7005	4			97-6118	3	X98-060360	3
13-7006	1	18-0107	1	97-6119	3		
13-7007	1	18-0108	2	97-6120	3		
13-7014	3	18-0109	2	97-6121	3		
13-7022	3	18-0130	2	97-6122	3		
13-7023	3			97-6123	3		
13-7024	3			97-6124	3		
13-7035	3	19-9461	4	97-6125	3		
13-7045	3	19-9462	1	97-6127	3		
13-7060	3	19-9463	1	97-8026	3		
13-7061	4	19-9464	1	97-8027	2		
13-7062	4	19-9465	3				
13-7065	3	19-9466	3				
13-7068	1	19-9467	3	X10-170187	2, 3		
13-7071	1	19-9468	3	X10-170227	3		
13-7076	2	19-9469	3	X11-140127	3		
13-7079	2	19-9470	3	X11-170127	3		
13-7080	2	19-9471	3	X11-170358	2		
13-7081	2	19-9472	1	X11-200358	1, 2, 3		
13-7084	2	19-9473	3	X11-200458	2		
13-7085	2	19-9474	2	X14-200358	3		
13-7086	2	19-9475	2	X14-200458	2, 3		
13-7095	1	19-9482	4				
13-7114	1	19-9483	4	X21-170358	4		
13-7119	1	19-9484	4	X21-170608	4		
13-7120	1	19-9485	1	X24-170188	1		
13-7121	1	19-9486	1				
13-7124	1	19-9593	3	X32-401131	2, 3		
13-7126	4			X32-401171	2		
13-7129	3			X32-401201	4		
13-7130	4	20-2111	2				
13-7131	4	20-2112	2	X32-502111	2		
13-7134	4	20-2113	2	X32-502311	2		
13-7138	4			X32-502312	2		
13-7139	4			X32-502313	2		
13-7142	1	27-0049	2	X32-502612	4		
13-7143	1	27-8099	2	X32-503611	3		
13-7154	4	27-8100	2	X32-504611	3		
13-7156	1	27-8101	2	X32-505222	3		

CANON REPAIR MANUAL

CANON COLOUR DEMI

(REFERENCE NO. 1-45203)

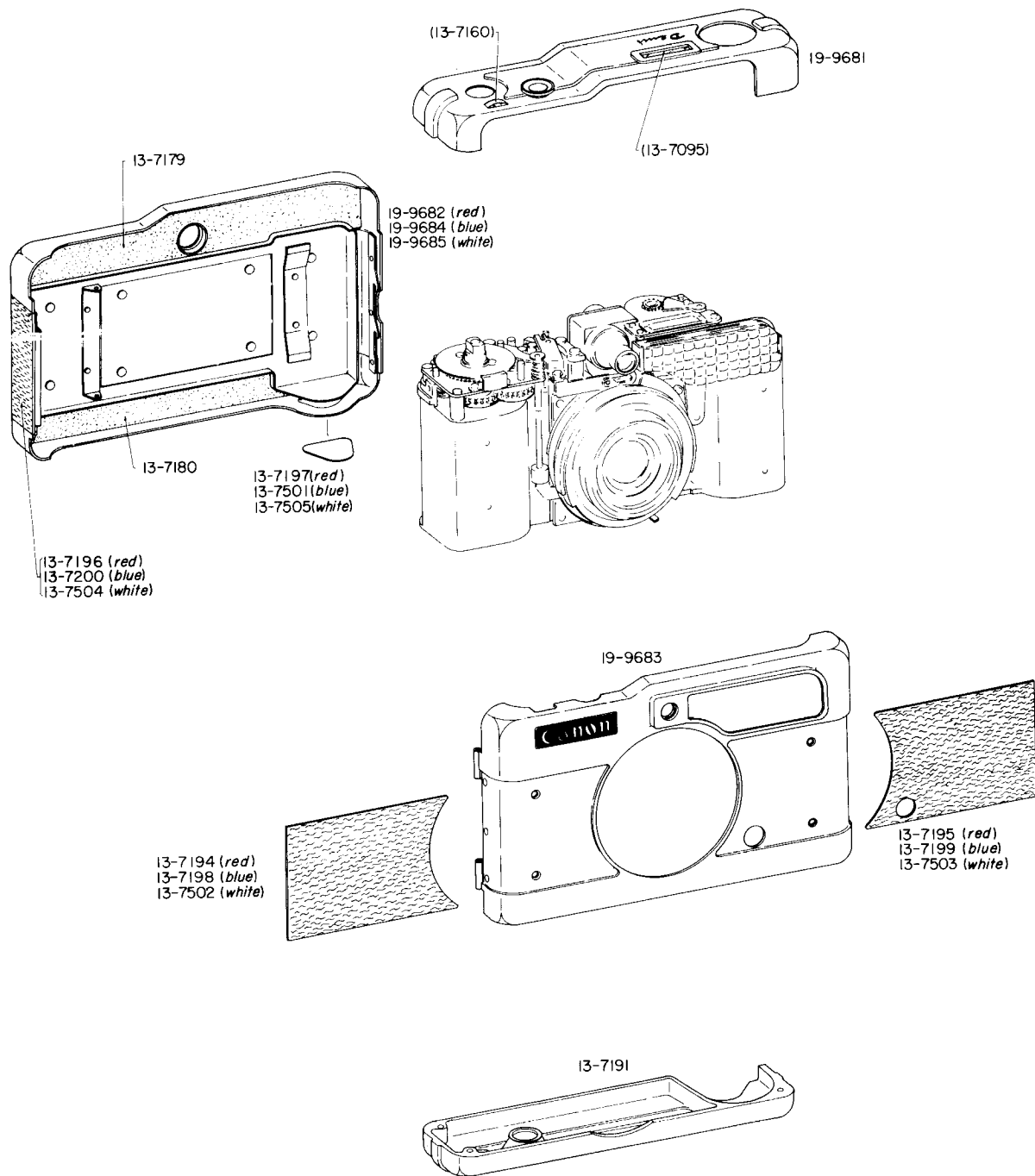
(REFERENCE NO. 1-45204)

(REFERENCE NO. 1-45205)

CANON CAMERA COMPANY INC.

TOKYO, JAPAN

EXPLODED VIEW
of
CANON COLOUR DEMI



REF. NO. 1-45203

REF. NO. 1-45204

REF. NO. 1-45205

Canon Colour Demi is absolutely the same product in mechanism as Canon Demi Jose, we therefor picked up only parts which are used in the Colour Demi for this repair manual . The rest of the parts are the same parts as 1-45201's, in the case if necessary, refer to the repair manual I-45201.

PARTS LIST

13-7191	Base Plate
13-7194	Leather (Red)
13-7195	Leather (Red)
13-7198	Leather (Blue)
13-7199	Leather (Blue)
13-7502	Leather (White)
13-7503	Leather (White)
19-9681	Top Cover (B. P)
19-9682	Back Cover (Red)(B. P)
13-7196	Leather (Red)
13-7197	Leather (Red)
19-9683	Front Cover (B. P)
19-9684	Back Cover (Blue)(B. P)
13-7200	Leather (Blue)
13-7501	Leather (Blue)
19-9685	Back Cover (White)(B. P)
13-7504	Leather (White)
13-7505	Leather (White)

CANON REPAIR MANUAL

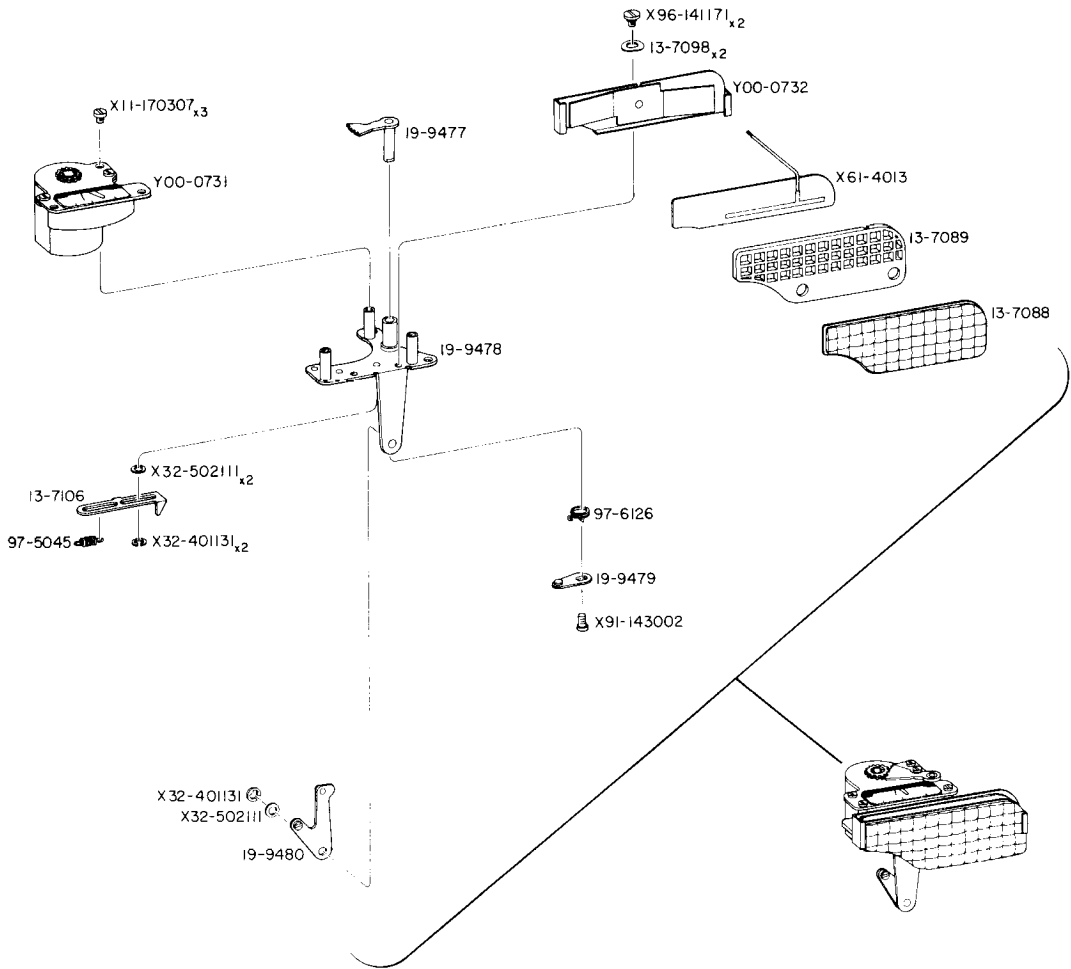
EXPOSURE METER & SHUTTER

for

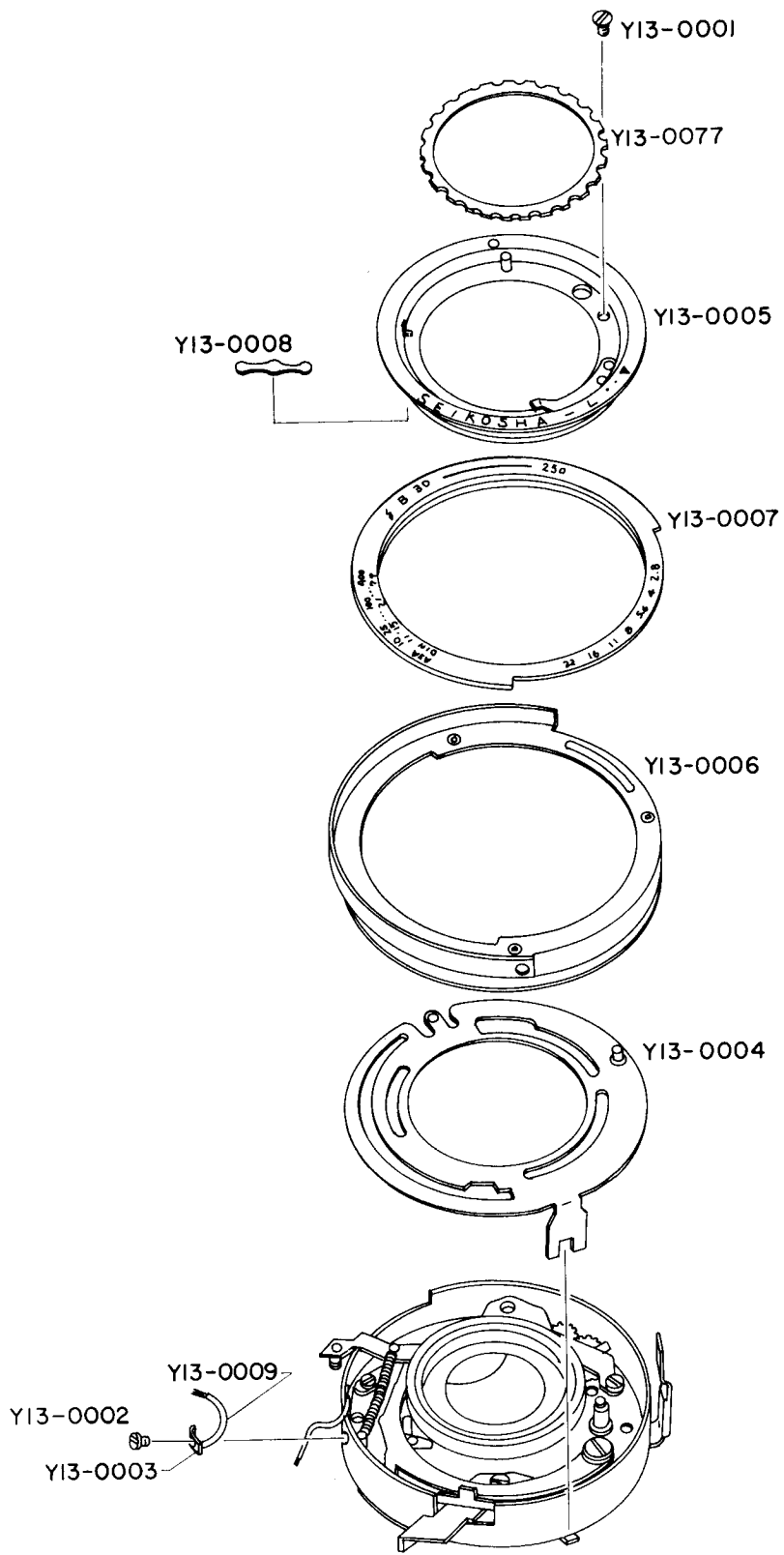
CANON DEMI
(REFERENCE NO. 1-45211)

CANON CAMERA COMPANY INC.
TOKYO, JAPAN

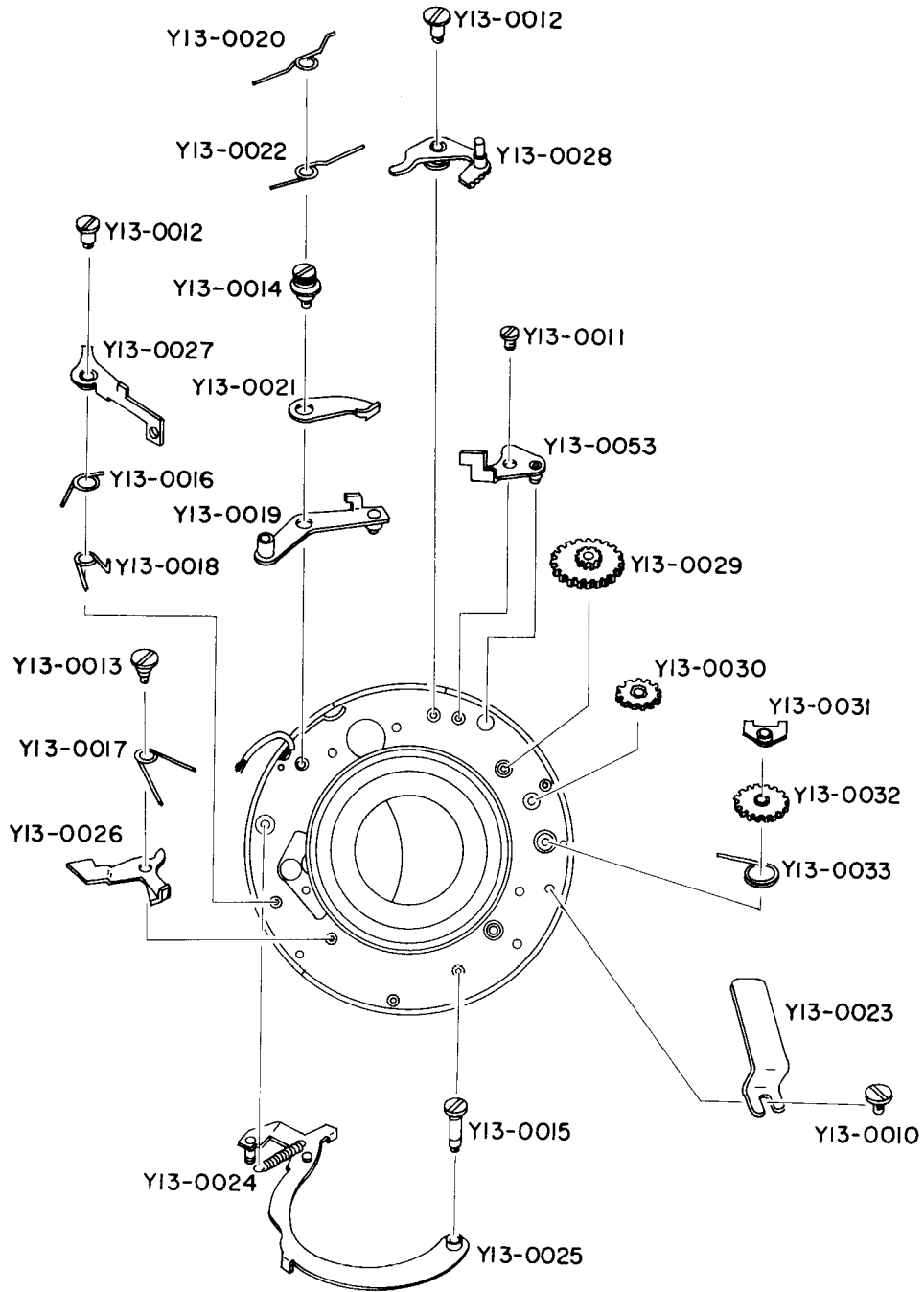
of
SHUTTER for CANON DEMI



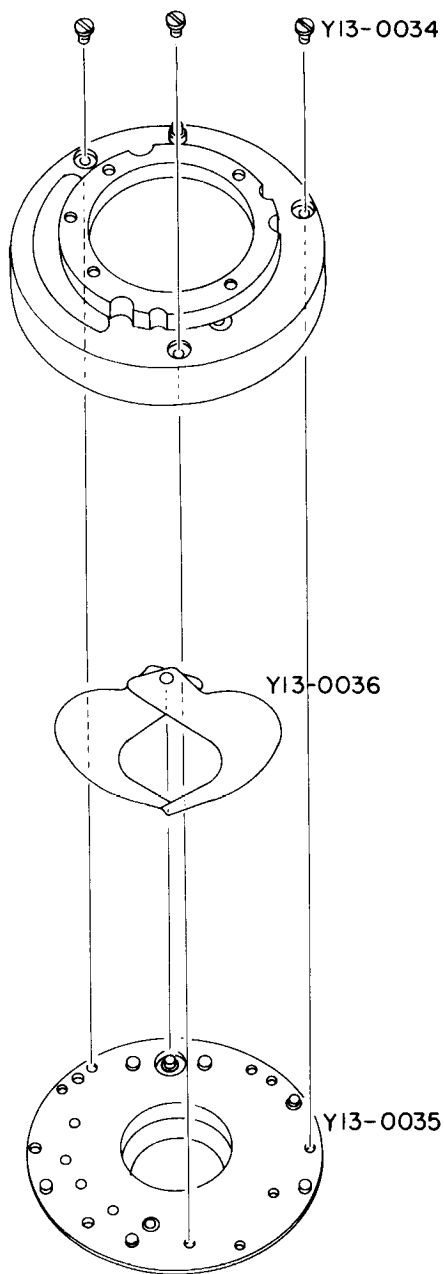
of
SHUTTER for CANON DEMI



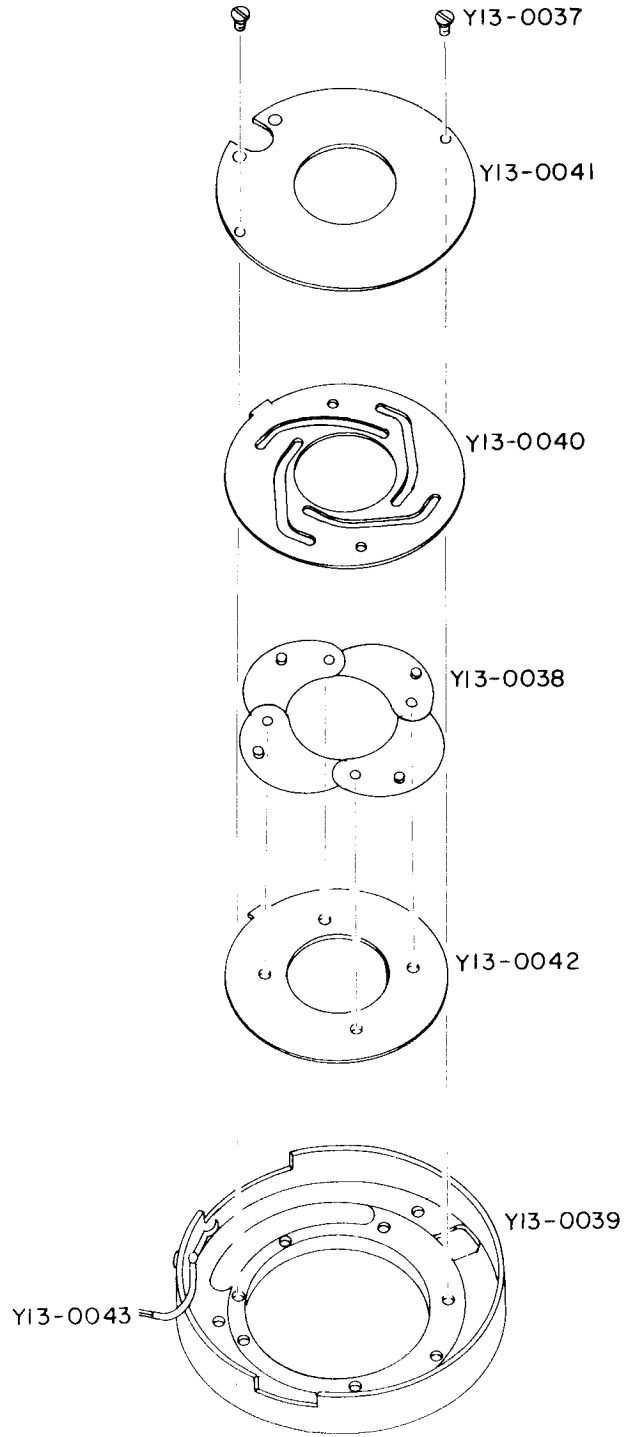
of
SHUTTER for CANON DEMI



EXPLODED VIEW
of
SHUTTER for CANON DEMI



EXPLODED VIEW
of
SHUTTER for CANON DEMI



EXPLODED VIEW
of
EXPOSURE METER for CANON DEMI

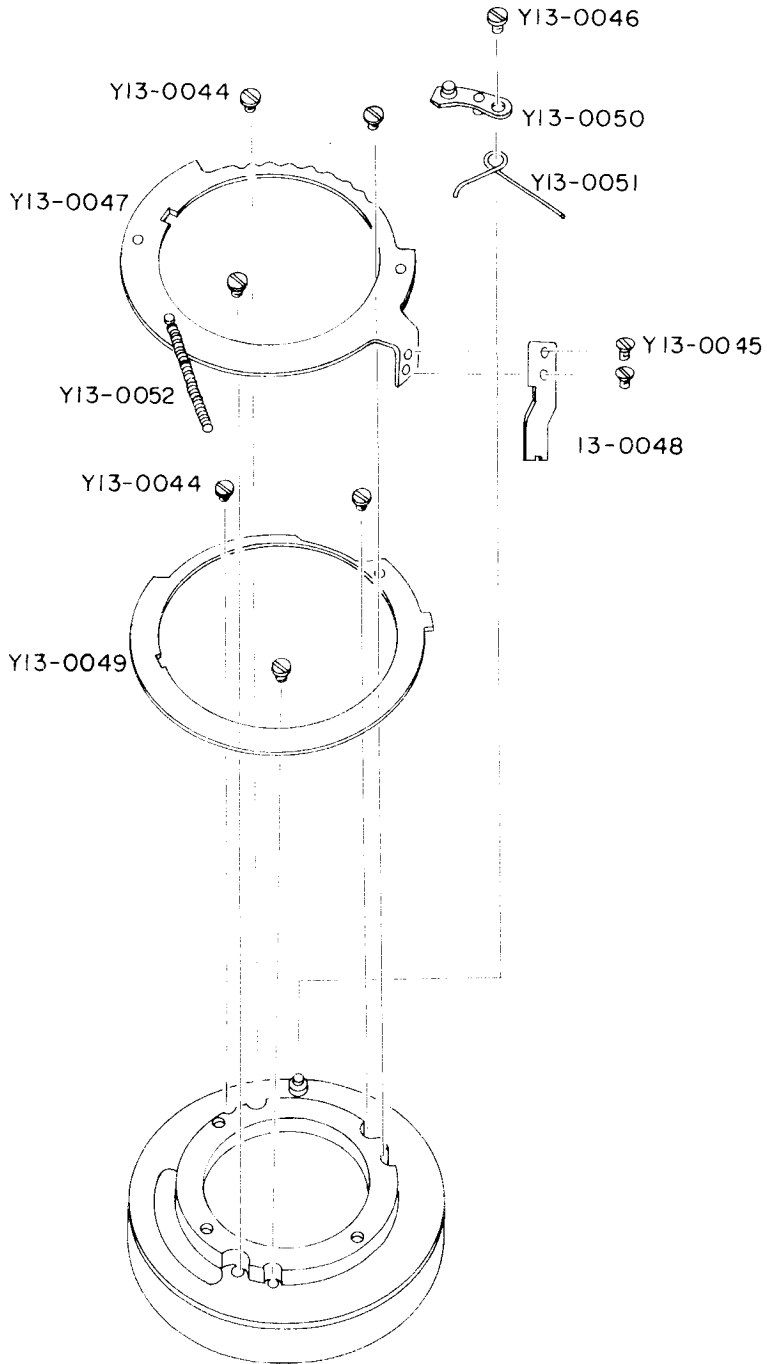


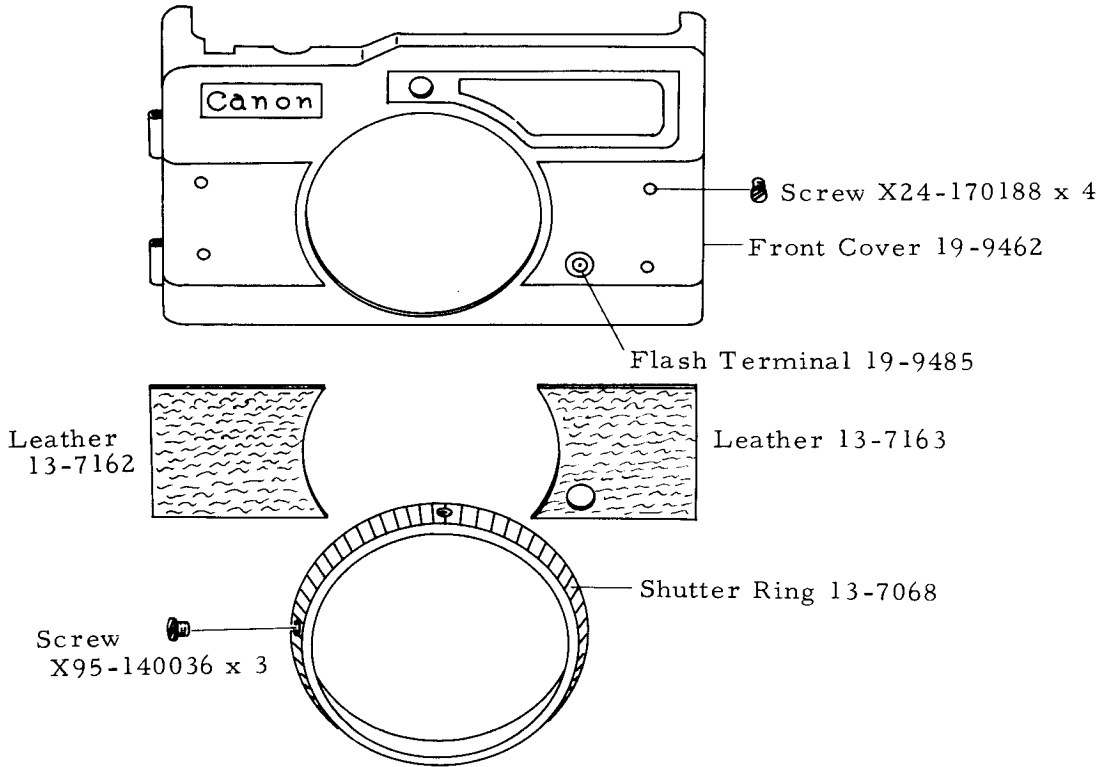
TABLE OF CONTENTS

Disassembling methods	
Front Cover	5
Top Cover	6
Base Plate	7
Winding Device Base	8
Viewfinder, Exposure Meter	9
Shutter	10
Adjusting method	
Exposure Meter	11
Viewfinder	12
Focus	13
Trouble, cause and remedy	
Winding	14
Windup is impossible	
Winding lever return is bad	
Winding lever is loose	
Winding lever slips	
Film slackens	
Rewinding	15
Rewinding is heavy	
Rewinding button return is bad	
Film counter	16
Film counter does not move	
Film counter stops midway	
Film counter does not return	
Film counter does not align	
Shutter	17
Shutter releases when wound up	
B (bulb) becomes T (time)	
Shutter button shock	
Shutter release position is deep	
Manual aperture does not cancel	
Manual aperture lever does not set	
Exposure meter	19
Shutter ring is heavy	
Shutter ring catches	
ASA switching is not smooth	
Shutter ring at ASA 400 catches at 30- $\frac{1}{2}$	
Match needle does not couple	
LV position is out of place	
Exposure meter needle does not move	
Viewfinder	20
Visibility does not align	
Parallax aberration	
Viewfinder light leakage	
Slanted frame	
Fallen image	
Synchronization	21
Synchronization short circuits	
Does not synchronize	
Synchronization does not work	

Back cover	21
Light leakage	
Back cover opens	
Back cover does not close tight	
Focus	22
Focusing ring sticks	
One side is out of focus	
Resolution is bad	
Inspection standards	23

FRONT COVER DISASSEMBLING

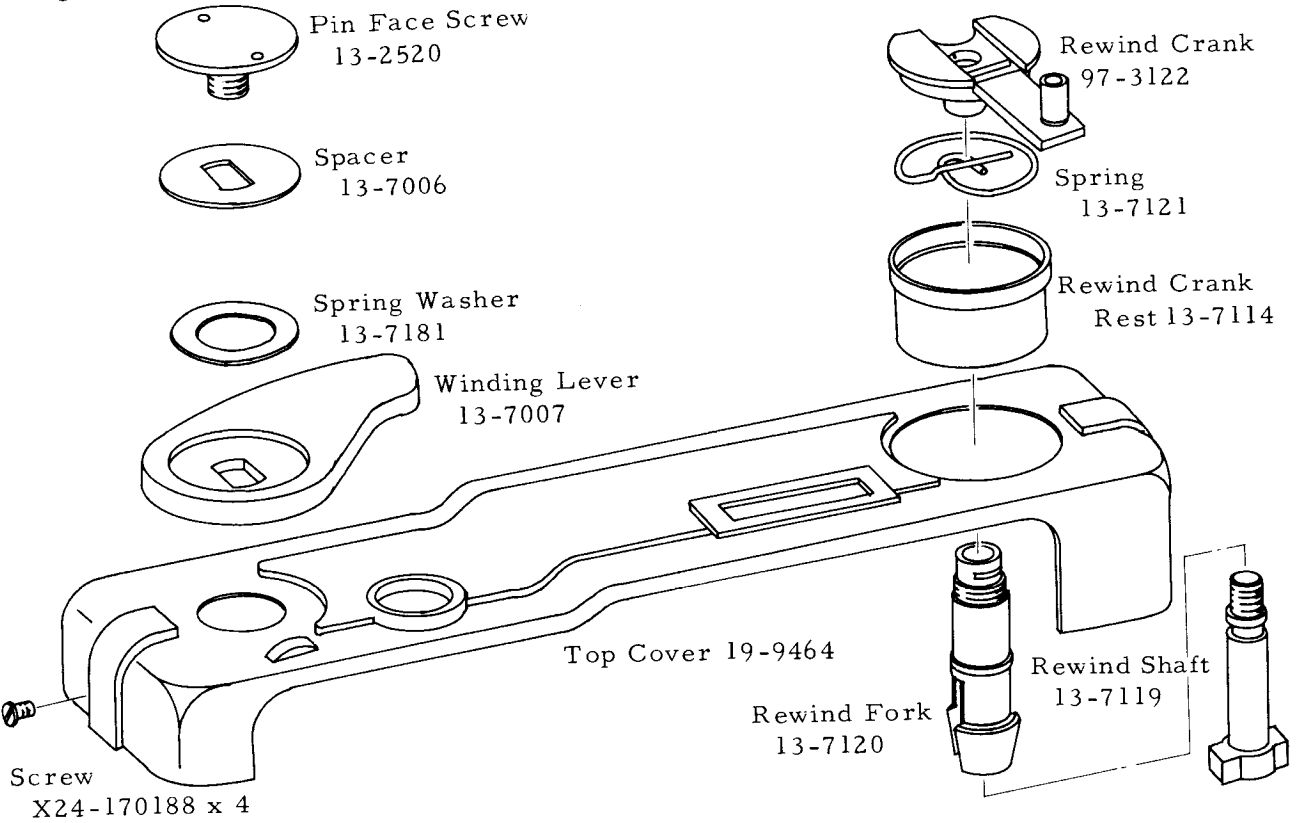
Fig. 1



<u>Work</u>	<u>Order</u>	<u>Note</u>
1. Removal of shutter ring	$\frac{13-7068}{\text{Shutter Ring}} - \frac{X95-140036}{\text{Screw}} \times 3$	
2. Removal of leather	$\frac{13-7162}{\text{Leather}} - \frac{13-7163}{\text{Leather}}$	2.1 The leather is to be peeled off only up to the positions of the screws. It does not have to be completely peeled off.
3. Removal of front cover	$\frac{X24-170188}{\text{Screw}} \times 4 - \frac{19-9462}{\text{Front Cover}}$	
4. Unsoldering flash terminal	Remove the solder (inner side) from the tip of $\frac{19-9485}{\text{Flash Terminal}}$	

TOP COVER DISASSEMBLING

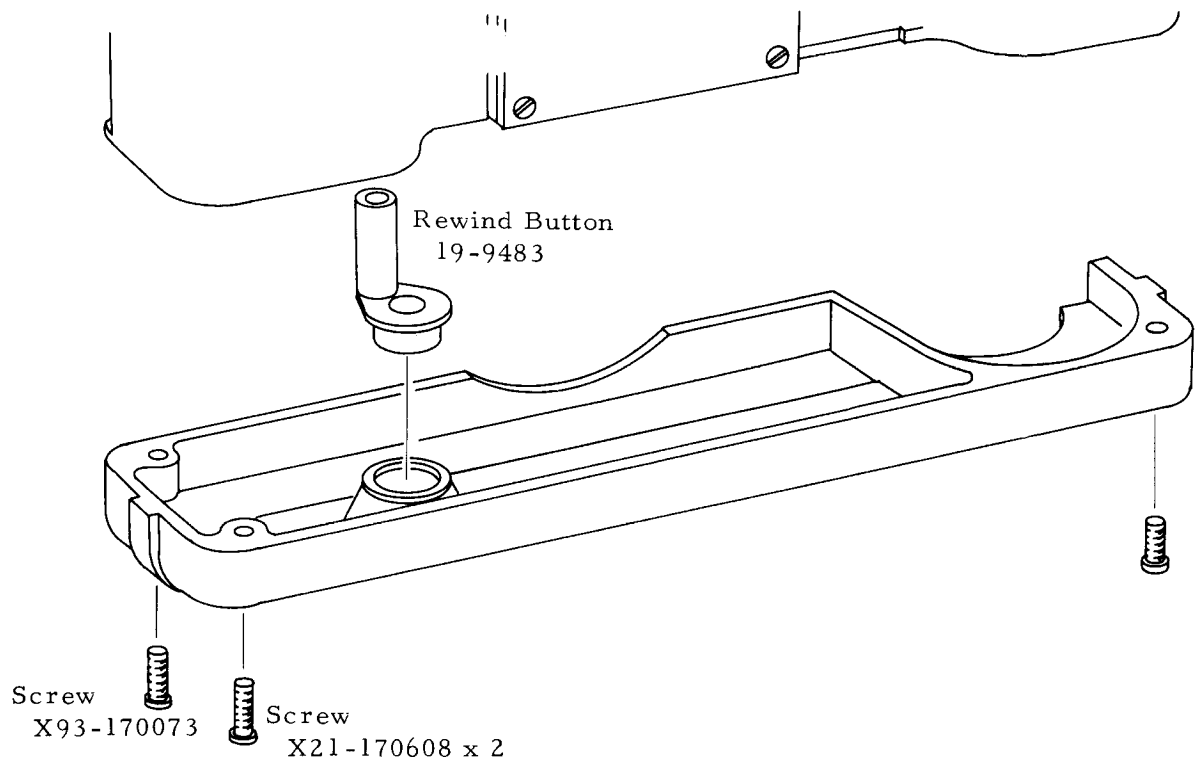
Fig. 2



<u>Work</u>	<u>Order</u>	<u>Note</u>
1. Removal of top cover		
1.1. Removal of winding lever	$\frac{T06A-13-2280-1}{\text{Exclusive Tool}} - \frac{13-2520}{\text{Pin Face Screw}}$ $- \frac{13-7006}{\text{Spacer}} - \frac{13-7181}{\text{Spring Washer}}$ $- \frac{13-7007}{\text{Winding Lever}}$	
1.2. Removal of rewind crank	$\text{Crank Set } \frac{13-7121}{\text{Spring}} - \frac{13-7114}{\text{Rewind Crank Rest}}$ $- \frac{13-7120}{\text{Rewind Fork}} - \frac{13-7119}{\text{Rewind Shaft}}$	<p>1.2.1. The fork is inserted with the the handle of the brush.</p> <p>1.2.2. The ring is removed with the exclusive tool (T06A-13-7114-1)</p>
1.3. Removal of top cover screws	$\frac{X24-170188}{\text{Screw}} \times 4$	<p>1.3.1. In the final stage of removing the top cover, press the 0 reset lever of the film counter plate.</p>

BASE PLATE DISASSEMBLING

Fig. 3



Work

Order

Note

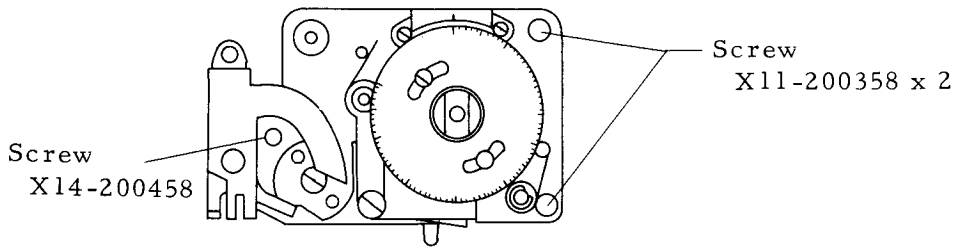
1. Removal of
base plate

$\frac{X93-170073}{\text{Screw}} - \frac{X21-170608x2}{\text{Screw}} \times 2$

1. 1. Be careful not to
mistake the screws
and the screw positions.

WINDING DEVICE BASE DISASSEMBLING

Fig. 4



Work

Order

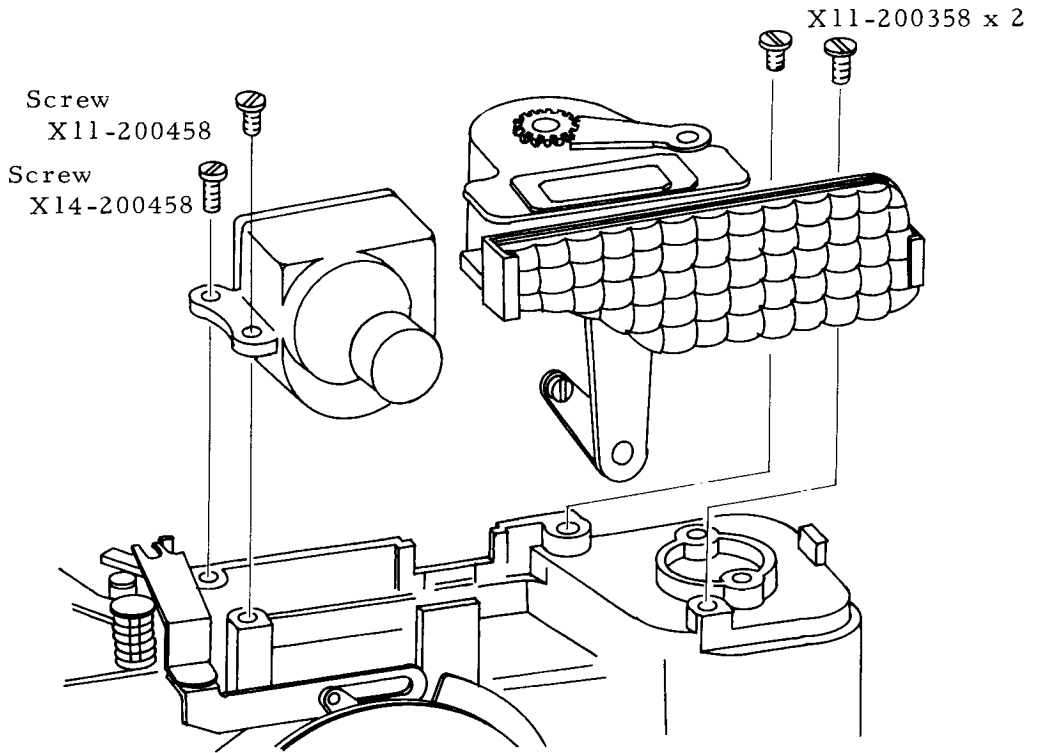
Note

1. Removal of winding-device base

$\frac{X11-200358}{Screw} \times 2 - \frac{X14-200458}{Screw} \times 1$

VIEWFINDER, EXPOSURE METER DISASSEMBLING

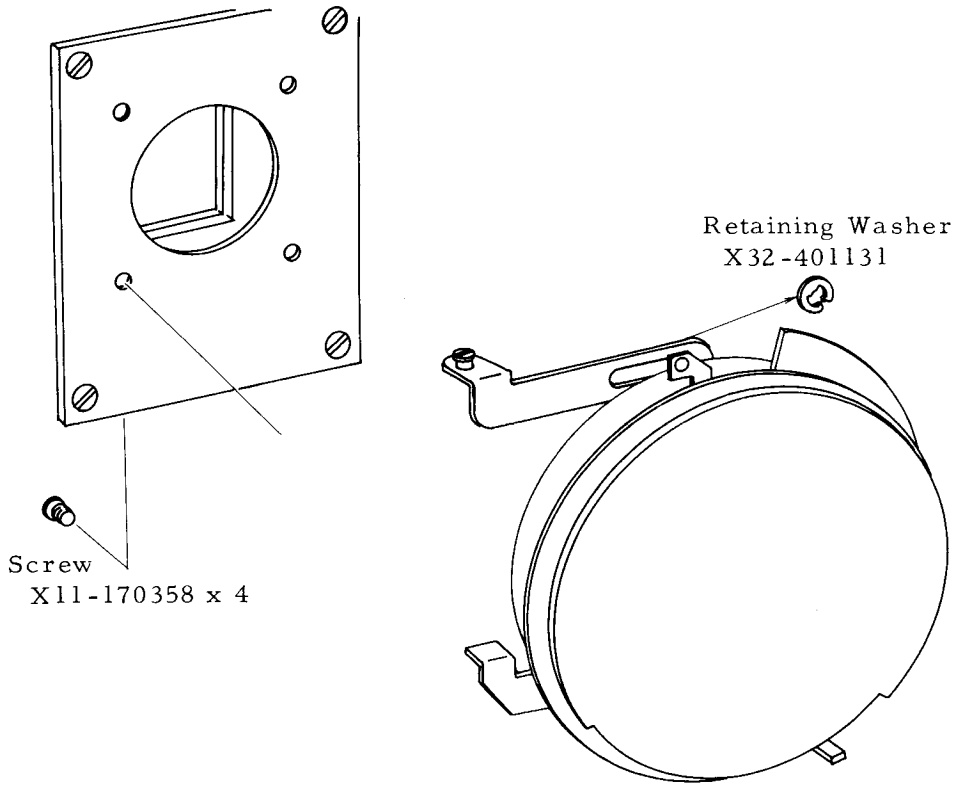
Fig. 5



<u>Work</u>	<u>Order</u>	<u>Note</u>
1. Removal of viewfinder	$\frac{\text{X11-200458}}{\text{Screw}} \quad \frac{\text{X14-200458}}{\text{Screw}}$	
2. Removal of exposure exposure meter	$\frac{\text{X11-200358}}{\text{Screw}} \times 2$	

SHUTTER DISASSEMBLING

Fig. 6



Work

Order

Note

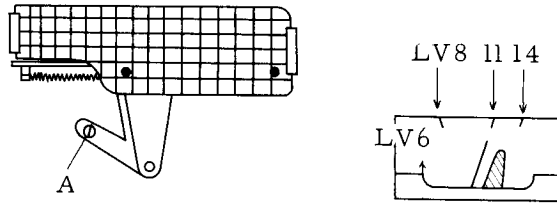
1. Removal of shutter

$\frac{X11-170358}{Screw} \times 4 - \frac{X32-401131}{Retaining Washer}$

1. 1. Remove the 4 screws while looking from the aperture (back).
1. 2. Be careful not to lose the washers in front and back of the Retaining Washer.

EXPOSURE METER ADJUSTMENT

Fig. 7



1. Set the film sensitivity at 100 (ASA) and the aperture stop at 5.6.
2. The position of the needle at this time should be aligned to LV11.
3. If not, adjust with the eccentric screw as shown in Fig. 7.
4. After the adjustment has been made turn the ASA ring and the shutter ring and check to see if they revolve smoothly and lightly.
5. Also refer to Inspection Standard 7-1.

VIEWFINDER ADJUSTMENT

Fig. 8

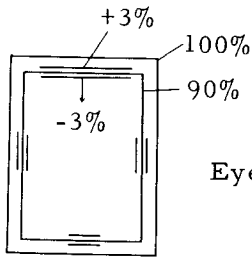


Fig. 9

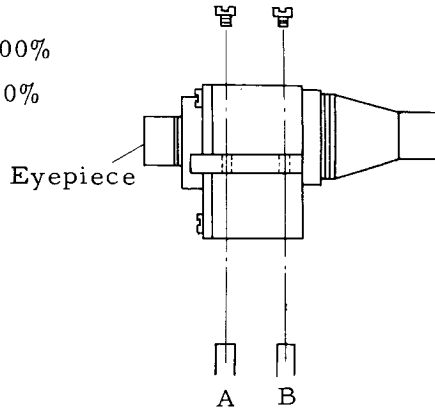
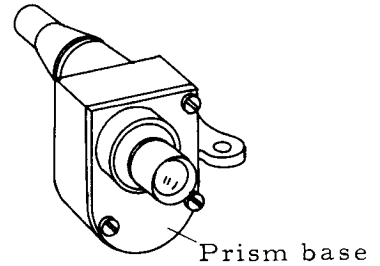


Fig. 10



Using the field-of-view collimator set the camera on the supporter.

Order

1. Open the back cover, set frosted glass against the aperture and look at Fig. 8. Match the picture frame to Fig. 8. (Picture frame limit 90% \pm 3%)
2. Look into the finder and check the deviation.

Adjustment

- * Vertical adjustment
(Refer to Fig. 9)
Facing too far up (to lower) \longrightarrow put washer on A.
Facing too far down (to lift) \longrightarrow put washer on B.
- * Horizontal adjustment
After loosening the screws shown in Fig. 9 adjust by moving (turning) the tip of the finder.
- * Slant adjustment (image)
Loosen the 3 screws on the prism base and adjust by turning to right and left. (Refer to Fig. 10)
- * Slant adjustment (frame)
Adjust by slanting the entire finder.

TROUBLE, CAUSE & REMEDY

WINDING

Windup is impossible

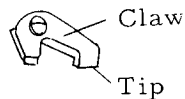
1. Stopper lever movement is bad.
In order to improve the movement of Stopper Lever 13-7045 in Fig. 11, strengthen the spring or remove the washer.

Fig. 11



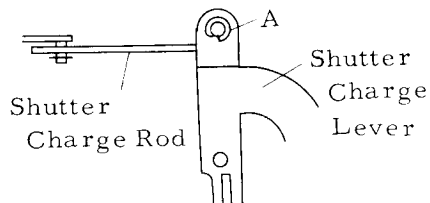
2. Too many washers.
Here also, improve the movement of Stopper Lever 13-7045 with the washer.
3. Stopper Lever touches shutter charge lever.
Adjust with the washer or slightly bend the part that is causing friction.
4. Stopper Lever touches winding device base.
File off the tip of Stopper Lever 13-7045.

Fig. 12



5. Spring is weak.
Refer to Clause 1.
6. When shutter is released there is no gap between stopper lever and shutter charge lever.
Widen the gap of Shutter Charge Lever 19-9593 and make the gap between Stopper Lever 13-7045 and Shutter Charge Lever. (0.1-0.2 mm.) (Refer to Fig. 11)
7. Shutter charge rod movement is bad.
Adjust with washer in Fig. 13-A.

Fig. 13



8. Shutter charge rod is bent.
Repair the bend in Shutter Charge Rod 19-9474.
9. Eccentric screw of shutter charge rod is tight.
Enlarge the hole of Shutter Charge Lever 19-9593 with a file.
10. Retaining washers of shutter charge rod are loose.
Attach Retaining Washer X32-401131.

11. Shutter is bad.
Replace Shutter Unit X71-1101.

Winding lever return is bad

1. Base is bent.
Replace Winding Device Base 19-9466.
2. Shaft is eccentric.
Replace winding shaft (numerous in old winding device base.)
3. Surface of friction disk is bad.
Replace Friction Disk 13-7022 or readjust parallel.

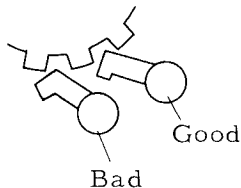
Winding lever is loose

1. Shaft and Screw (C7025) are loose.
Retighten.
2. Pin Face screw is loose.
Retighten.

Winding lever slips

1. Winding pawl slips.
When the winding pawl under the winding device base slips, replace Winding Pawl 19-9467 or readjust the angle.

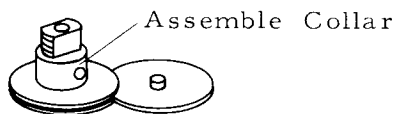
Fig. 14



Film slackens

1. Spool torque is weak.
Retighten Assemble Collar 13-7023 to strengthen the friction or replace Friction Disk 13-7022.

Fig. 15

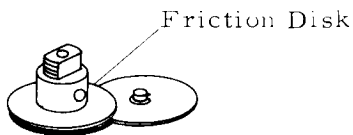


2. Assemble collar does not tighten completely.
Replace Spool Shaft 13-7024 or Assemble Collar 13-7023.

Rewinding is heavy

1. Rewind crank shaft needs oiling.
Put on Perma-Lube Ad-1.

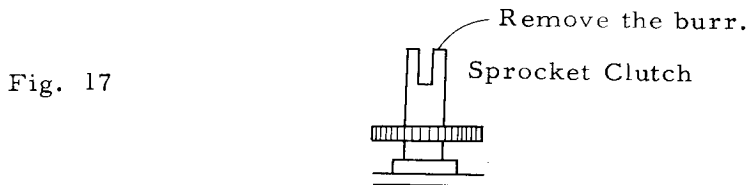
Fig. 16



2. Spool torque is heavy.
 - a. Remove the burr on Friction Disk 13-7022.
 - b. Insert washer in between the friction disks (Between 2 disks).
 - c. Put Liquid Molybdenum grease on the friction disk.

Rewind button return is bad

1. The burrs are on the key screw surface of sprocket clutch.
Remove the burr on Sprocket Clutch 13-7060 with a file.



2. Key screw is too long.
Replace Screw X91-141312.
3. Coil spring is weak.
Strengthen or replace Coil Spring 97-5044.
4. Rewind button movement is bad.
Put Liquid Molybdenum on the rewind button. However, when the movement is especially bad replace Bearing 13-7138 and Rewind Button 19-9483.

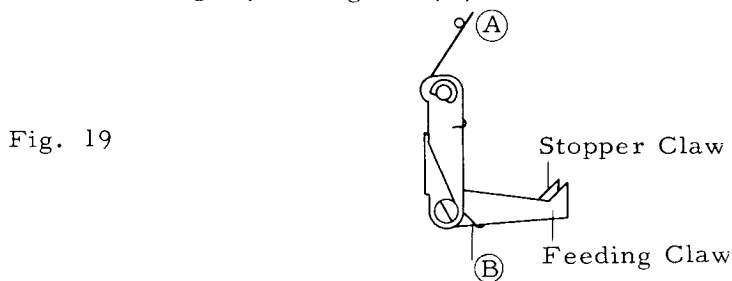
FILM COUNTER

Film counter does not move

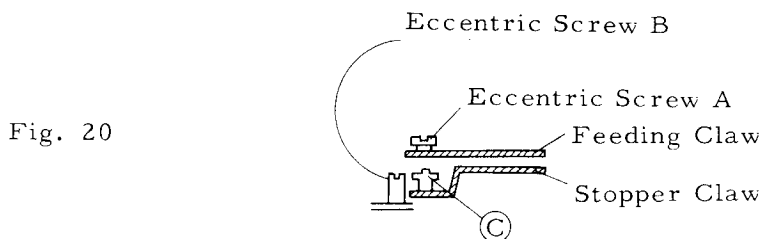
1. Resetting lever pressure is insufficient.
Extend the tip of the lever by tapping it, or replace it.



2. Feeding claw spring is weak.
Strengthen (A).
Slightly strengthen (B).



3. Springs have come loose.
Be especially careful against each spring release.
4. Stopper claw hits bottom surface of feeding claw.
File off the dowel.



5. Friction between stopper and feeding claws.
Raise the feeding claw. (Refer to Fig. 20)
6. Adjustment of feeding and stopper claws is bad.
Check the strength of each spring. Turn the eccentric screws of A and B and adjust the feed quantity. The tip of the feeding claw should be slightly longer than the stopper claw (0.2 - 0.3 mm). Adjust by filing. (Refer to Fig. 19).

Film counter stops midway.

1. Bad adjustment.
Adjust the feed quantity by slightly increasing the feed quantity and make the film counter dial return a little after the stop claw catches.
2. Bad tooth shape.
Replace Counter Gear 19-9465.

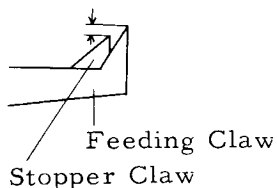
Film counter does not return

1. Resetting lever spring is weak.
Strengthen Spring 97-6122.
2. Resetting lever tightening dowel hits plate dowel.
File the dowel. (Refer to Fig. 18)
3. Feeding claw slips from resetting lever.
Bend Feeding Claw 19-9470 downwards. (Refer to Fig. 20)
4. Spring presses against film counter dial shaft.
Replace Spring 97-6119.
5. Counter dial rubs against index mark.
Bend Counter Index 13-7066.

Film counter does not align

1. Stopped by feeding claw due to insufficient adjustment.
Make adjustments so that the feeding claw is parallel with the stopper claw or slightly indented.

Fig. 21



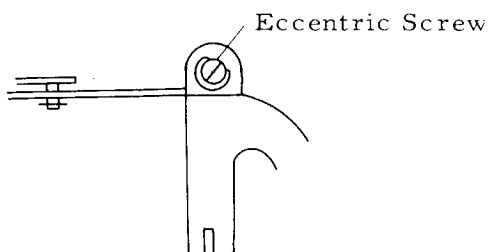
2. Gear hole is large.
Replace Counter Gear 19-9465.
3. Attachment of counter dial is bad.
Attach Counter Dial 97-8026 in the center.

SHUTTER

Shutter releases when wound up

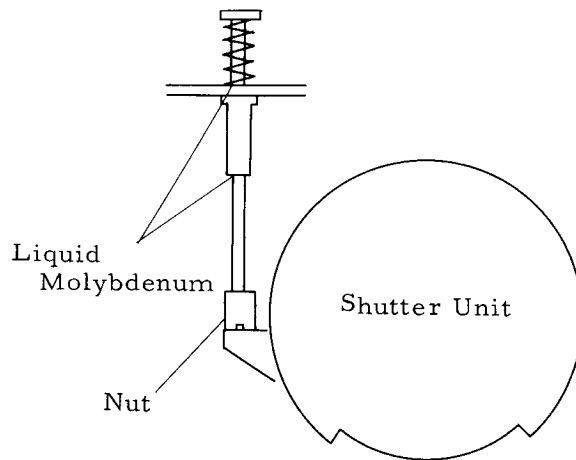
1. Shutter does not charge.
Readjust shutter charge position.

Fig. 22



2. Shutter shaft is always pressing against release lever.
Turn Nut 13-7168 on the tip of the shutter shaft to the right, push in, and make the entire shutter stroke shorter.

Fig. 23



3. Shutter shaft movement is bad.
Put Liquid Molybdenum on the part of the stroke where friction arises.
4. Shutter is bad.
Replace Shutter Unit X71-1101.
5. Circuit wire touches release lever and shutter shaft.
Repair the wiring so that it does not touch the shutter shaft and the release lever.

B (bulb) becomes T (time)

1. Shutter shaft is always pressing against top cover.
Make the stroke longer in the same manner as mentioned in preceding Clause 2.
2. The stroke while the shutter opens and closes is deep.
Replace Shutter Unit X71-1101.
3. Release lever return is bad.
Replace Shutter Unit X71-1101.

Shutter button shock

1. Shutter stroke is too short and presses coil spring.
Make the shutter stroke longer. (Refer to Fig. 23)
2. Shutter button separates from guide shaft.
Bend the tip of Shutter Button 19-9472 downwards.
3. Circuit wire touches shutter shaft and release lever.
Repair the wiring.

Shutter release position is deep

1. Shutter shaft adjustment is bad.
Readjust the shutter stroke. (Refer to Fig. 23)

Manual aperture does not cancel

1. Spring has become loose.
Reattach coil spring A on the backside of the shutter unit.


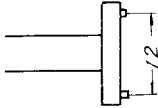

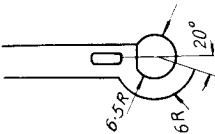

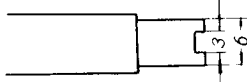
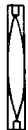
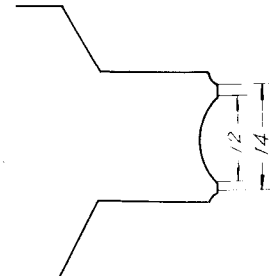
CANON SERVICE TOOLS LIST

CANON DEMI
(REFERENCE NO. 1-45201)

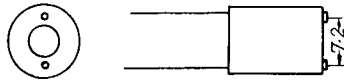
TESTING EQUIPMENT

<u>Use</u>	<u>Name of Testing Equipment</u>
Focus	<ol style="list-style-type: none"> 1. 200mm t-type collimator - 1 2. Plastic stand for Canonet to 200mm t-type collimator-2 3. Mirror for Canonet - 2
Field of View	<ol style="list-style-type: none"> 1. Universal parallax collimator - 1 2. Frosted glass for focus
Exposure Meter	<ol style="list-style-type: none"> 1. Inspection device for Canonet meter

SPECIAL SCREWDRIVERS

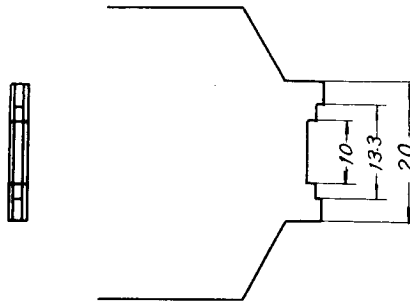
TO6A-C2280 (13-2520)			Tightening Pin Face Screw See Repair Manual P. 1.
TO6A-C7023 (13-7023)			Tightening Assemble Collar See Repair Manual P. 3.
TO6A-C7024 (13-7024)			Tightening Spool Shaft See Repair Manual P. 3.
TO6A-C7072 (27-8099)			Tightening Assemble Collar See Repair Manual P. 2.

TO6A-C7025
(13-7014)



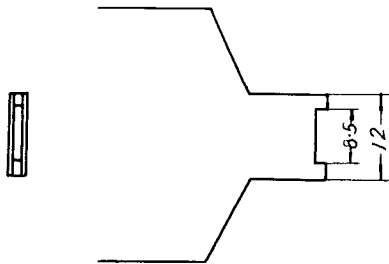
Due to Spool Shaft being weak, Winding Lever Shaft takes it's place.
See Repair Manual P. 3.

TO6A-C7074
(18-0130)



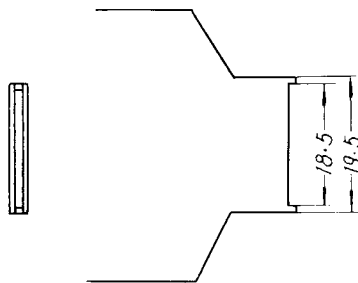
Tightening Rear Lens
See Repair Manual P. 2.

TO6A-C7075
(27-8100)



Tightening Assemble Collar
See Repair Manual P. 2.

TO6A-C7076
(13-7076)



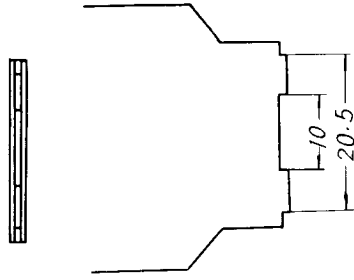
Tightening Lens Barrel
See Repair Manual P. 2.

TO6A-C7139
(13-7139)



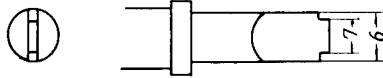
Tightening Sprocket Assemble Collar
See Repair Manual P. 4.

TO6A-C7077
(18-0109)



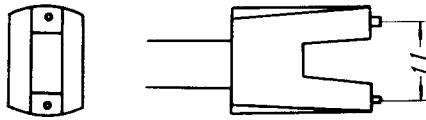
Tightening Helicoid
See Repair Manual P. 2.

TO6A-C7078
(27-8101)



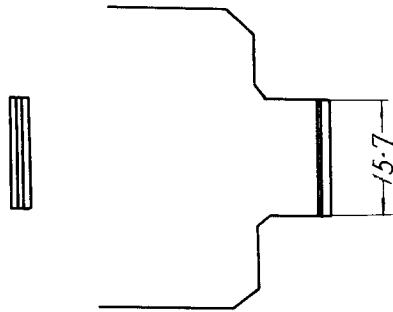
Tightening Assemble Collar
See Repair Manual P. 2.

TO6A-C7114
(13-7114)



Tightening Rewing Crank Rest
See Repair Manual P. 1.

TO6A-C7138
(13-7138)



Tightening Sprocket Bearing
See Repair Manual P. 4.